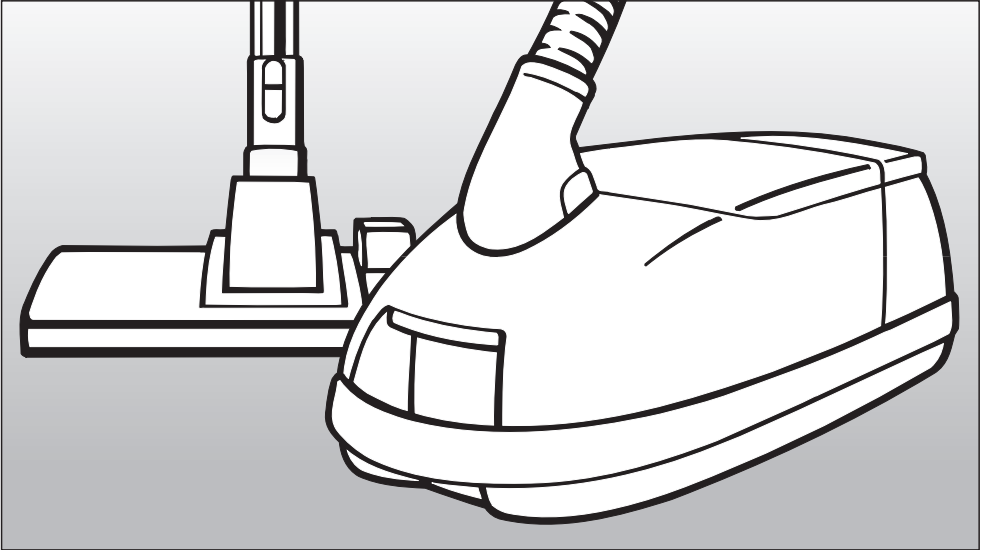


# Miele

## Operating instructions



## Vacuum Cleaner S 246i - S 252i

To prevent accidents and machine damage, read these instructions **before** installation or use.



M.-Nr. 05 905 590

# Contents

---

<b>IMPORTANT SAFETY INSTRUCTIONS</b> . . . . .	3
<b>Caring for the environment</b> . . . . .	7
Disposal of the packing materials . . . . .	7
<b>Guide to the vacuum</b> . . . . .	8
<b>Before using the vacuum</b> . . . . .	10
<b>Included accessories</b> . . . . .	13
Crevice nozzle . . . . .	14
Upholstery tool . . . . .	14
<b>Use</b> . . . . .	15
Power cord . . . . .	15
Turning the vacuum on and off . . . . .	16
Selecting the suction power . . . . .	17
Opening the air inlet valve . . . . .	18
Transport and storage . . . . .	19
Park-System . . . . .	19
Suction level indicator . . . . .	20
<b>Vacuum care</b> . . . . .	21
When to replace the dustbag and filters . . . . .	21
Where to purchase new dustbags and filters . . . . .	21
Changing the dustbag . . . . .	22
Changing the filters . . . . .	24
Changing the thread catcher . . . . .	25
Removing threads or hair wrapped around the roller . . . . .	25
Vacuum cleaner and accessories . . . . .	26
Dust compartment . . . . .	26
<b>Frequently asked questions</b> . . . . .	27
<b>Technical Service</b> . . . . .	28
<b>Optional accessories</b> . . . . .	29

# IMPORTANT SAFETY INSTRUCTIONS

---

When using an electrical appliance, basic precautions should always be followed, including the following:

## READ ALL INSTRUCTIONS BEFORE USING THIS APPLIANCE

### **WARNING-**

**To reduce the risk of fire, electric shock or injury:**

#### **Before using**

■ Check the voltage rating of the vacuum cleaner before connecting the power cord to an electrical outlet. Your power source should correspond with the voltage rating plate located on the underside of the vacuum. Use only household AC outlets. Never use DC power sources. If you are not sure of your home's voltage supply, consult a qualified electrician. Connecting the vacuum cleaner to a higher voltage than indicated in these instructions may result in damage to the vacuum cleaner or injury.

■ To reduce the risk of electric shock, this appliance has a polarized plug (one blade is wider than the other.) This plug will only fit in a polarized outlet one way. If the plug does not fit fully in the outlet, reverse the plug. If it still does not fit, contact a qualified electrician to install the proper outlet. Do not alter the plug in any way.

■ A damaged vacuum cleaner can be dangerous. Check the packaging, the vacuum cleaner and accessories for any signs of damage. Do not use a damaged appliance.

■ Do not use with a damaged cord or plug. If the appliance is not working as it should, has been dropped, damaged, left outdoors or submerged in water, bring it to a service center.

# IMPORTANT SAFETY INSTRUCTIONS

---

## Use

Do not use the vacuum on people or animals.

Do not use outdoors or on wet surfaces. Only **dry** surfaces should be vacuumed.

Only use the vacuum as described in this manual. Use only Miele recommended accessories.

The manufacturer cannot be held responsible for damage caused by non-compliance with these "Important Safety Instructions". This appliance is intended strictly for household use only.

This vacuum should not be used to entrap or retain any hazardous materials.

Do not allow the vacuum cleaner to be used as a toy. Close attention is necessary when used by or near children.

Do not pull or carry by the cord, use the cord as a handle, close a door on the cord, or pull the cord around sharp edges or corners. Do not run the appliance over the cord. Keep the cord away from heated surfaces.

Do not unplug by pulling on the cord. To unplug, grasp the plug not the cord.

Do not handle the plug or vacuum with wet hands.

Keep hair, loose clothing, fingers and all parts of the body away from openings and moving parts.

Turn off all controls before unplugging.

Use extra care when cleaning on stairs.

Floor attachments, accessories and wands must not be used at head level to avoid injury to eyes and ears.

Do not use to pick up flammable or combustible liquids, such as gasoline, or use in areas where they may be present.

Do not use the vacuum cleaner to pick up liquids, this could impair the electrical safety of the vacuum cleaner. Wait for freshly shampooed carpets to dry.

Do not pick up anything that is burning or smoking, such as cigarettes, matches or hot ashes.

Do not vacuum up items which are heavy, hard or have sharp edges. They could cause a blockage and damage the appliance.

Do not vacuum toner dust. Toner, such as that used in printers and photocopiers, can conduct electricity.

Always turn off the vacuum before connecting or disconnecting the Electrobrush, Turbobrush or an accessory.

# IMPORTANT SAFETY INSTRUCTIONS

---

Do not use without dustbag and filters in place. Do not turn on or attempt to operate the vacuum cleaner unless the dustbag, dust compartment filter and exhaust filter are in place. Only use genuine Miele double-layer dustbags and filters (see "Maintenance and care" for instructions on how to insert the dustbag and filters). If a dustbag has not been inserted properly, the dust compartment cover will not close. Do not use force!

Unwind the cable completely to aid the vacuum in dissipating heat.

A temperature limiter automatically switches off the vacuum cleaner if it gets too hot (see "Frequently asked questions.>").

On the underside of the vacuum handpiece is a metal insert designed to absorb electrostatic charge. Please make certain that your hand remains around this metal insert.

## Accessory use

The Miele Electrobrush is a motor driven accessory for use only with Miele vacuum cleaners. It must not be used with vacuum cleaners produced by another manufacturer.

When vacuuming with the Miele Electrobrush or Turbobrush, do not touch the rotating brush.

When using the vacuum with an Electrobrush and current-carrying hose use caution. The hose contains electrical wires. Do not use if damaged, cut or punctured. Avoid picking up sharp objects.

The socket on the vacuum cleaner (depending on model) must only be used with the Miele Electrobrush specified for use with this appliance.

Only use attachments specified by Miele. Do not use the blower to operate paint sprayers or similar devices that emit volatile or toxic vapors.

Monitor the dustbag change indicator and inspect all filters regularly. To ensure efficient suction, clean or replace them when necessary according to the operating instructions. To guarantee safety, only use genuine Miele dustbags, filters and accessories.

Miele vacuum cleaner bags are disposable and are only to be used once. Do not attempt to reuse.

Do not use the vacuum without an accessory attached. The rim could be damaged and injuries could result from sharp edges.

# IMPORTANT SAFETY INSTRUCTIONS

---

## Maintenance and care

■ A damaged power cord must only be replaced with a genuine Miele cord by an authorized service agent.

■ Do not leave the vacuum plugged in. Unplug from the outlet when not in use and before servicing.

■ Do not put anything into openings or use with any opening blocked. Keep free of dust, lint, hair and anything that may reduce air flow.

■ The suction hose and the telescopic wand contain electrical wires. The plug connectors must not come in contact with water. These items may only be cleaned with a dry cloth, no moisture must touch them. Danger of electric shock.

■ Clean only with a dry or slightly damp cloth when disconnected from the power supply. Never immerse in water.

■ This appliance is equipped with a power cord reel. Hold plug when rewinding onto cord reel. Do not allow plug to whip when rewinding.

■ Do not attempt any repairs other than those listed under "Vacuum care." Other repairs should be performed by an authorized service agent.

The manufacturer can not be held responsible for any work performed by an unauthorized servicer.

## Disposal

■ Before discarding an old vacuum cleaner, please cut off the power cord and render the plug useless. Ensure the appliance presents no danger to children while being stored for disposal.

## SAVE THESE INSTRUCTIONS

### **Disposal of the packing materials**

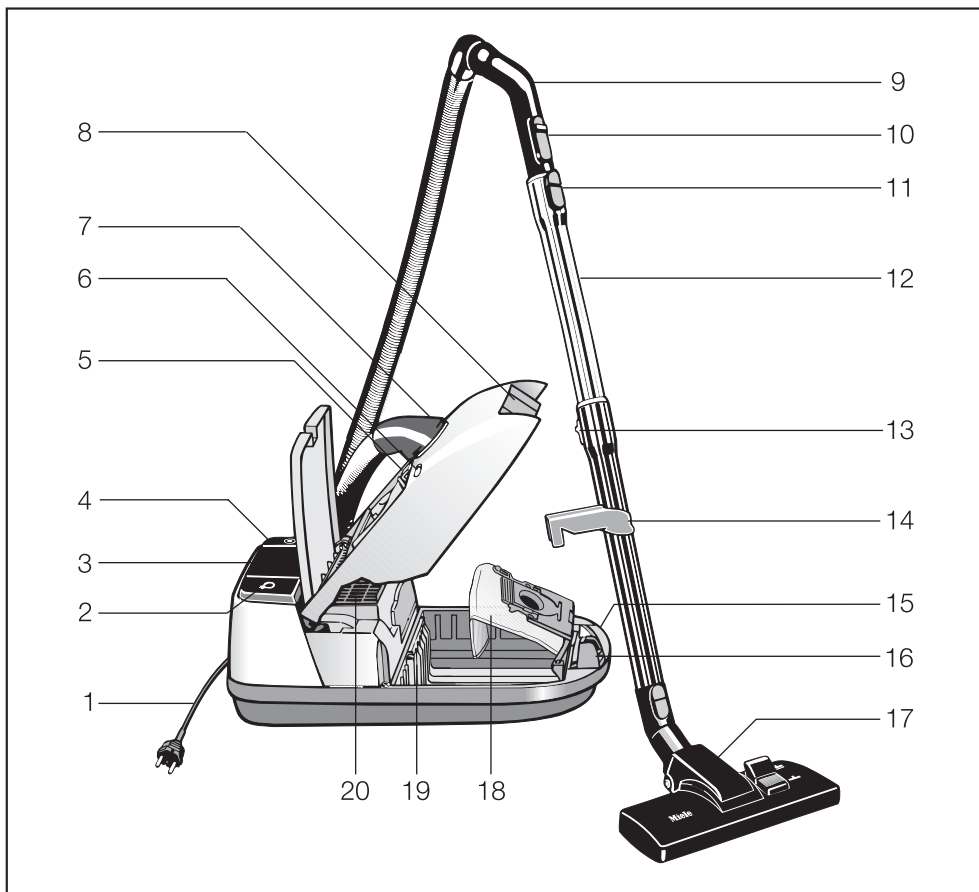
The cardboard box and packing materials protect the appliance during shipping. They have been designed to be biodegradable and recyclable.

Ensure that any plastic wrappings, bags, etc. are disposed of safely and kept out of the reach of children. These items pose a danger of suffocation.

### **Disposing of the dustbag and filters**

Genuine Miele dustbags and filters are made of environmentally friendly materials. They can be thrown out with the household trash provided the vacuum has been used only for normal household dust.

# Guide to the vacuum



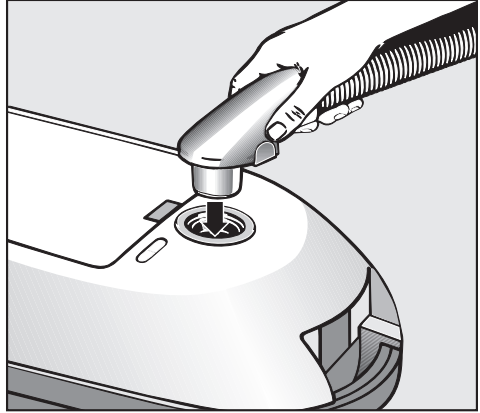
- 1 Power cord
- 2 Cord rewind switch
- 3 Suction power selector \*
- 4 On-Off switch
- 5 Accessory compartment lid release
- 6 Dustbag change indicator
- 7 Elbow
- 8 Dust compartment lid release
- 9 Handpiece
- 10 Air inlet valve
- 11 Locking button
- 12 Telescopic wand \*
- 13 Telescopic wand release button \*
- 14 Fold-out wand bracket \*
- 15 Carrying handle
- 16 Park-System
- 17 Floor brush
- 18 Dustbag
- 19 Dust compartment filter  
(motor protection)
- 20 Exhaust filter  
(SUPER air clean filter)

Features marked \* are only available on select models.

## Before using the vacuum

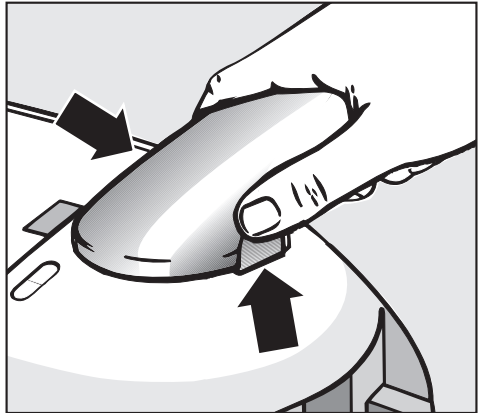
### Attaching the suction hose

- Insert the elbow into the suction socket.



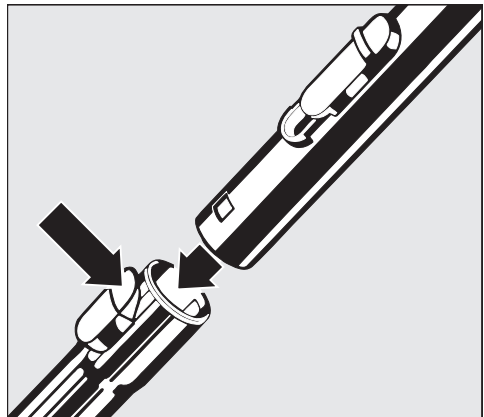
### Removing the suction hose

- Press the release buttons at the side of the elbow and lift the hose from the socket.



### Connecting the suction hose and the telescopic wand

- Fit the handpiece of the suction hose firmly into the wand. (Ensure that the plug connectors line up). Turn the handpiece and wand in opposite directions until they lock with a click.
- To release the hand piece from the telescopic wand press the locking button (see arrow) and pull apart.

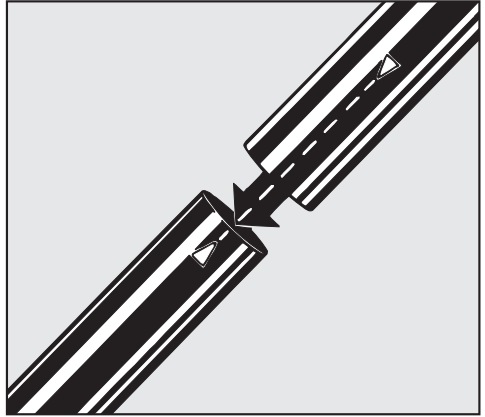


### Inserting the telescopic tubes

(depending on model)

Both sections of the telescopic wand have locating arrows.

- When connecting the two tubes, ensure that the two arrows point to each other.

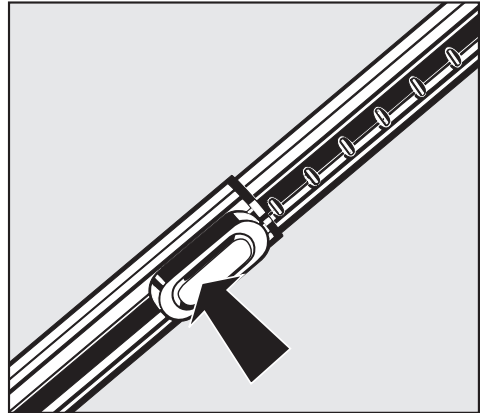


### Adjusting the telescopic wand

(depending on model)

One part of the telescopic wand is inside the other and can be adjusted to your height for comfortable vacuum cleaning.

- Press the telescopic tube release button (see arrow) to release the tubes and adjust to the required height.

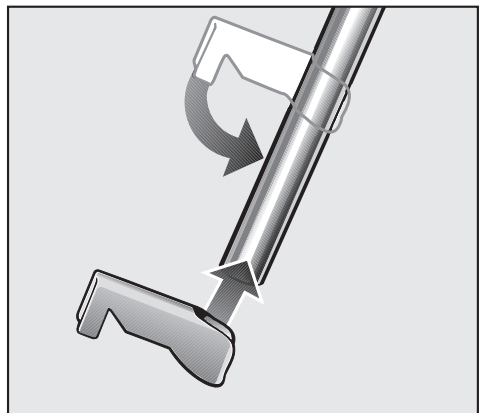


### Attaching the wand bracket

(depending on model)

- Attach the wand bracket onto the telescopic wand and fold it inwards.

When the wand bracket is folded out the telescopic wand with suction hose and floor brush can be attached to the handle of the vacuum.



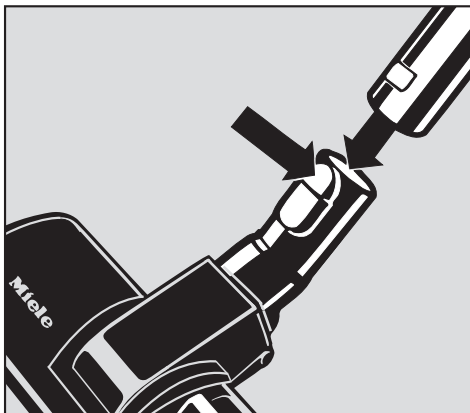
## Before using the vacuum

### Attaching the floor brush

- Insert the telescopic wand into the floor brush and turn in either direction until it locks with a click.
- To release the floor brush from the telescopic wand, press the locking button (see arrow) and pull the wand out of the floor brush.

The floor brush is suitable for cleaning carpets, rugs, and hard surfaces. For flooring susceptible to scratches, use one of the special Miele floor brushes (see "Optional accessories").

Observe the cleaning instructions of the floor manufacturer.



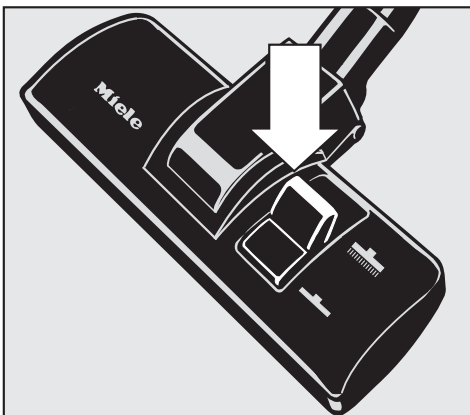
### Adjusting the floor brush

Vacuum carpets and rugs with the brush retracted:

- Press the foot switch marked .

Clean hard flooring with the brush protruding:

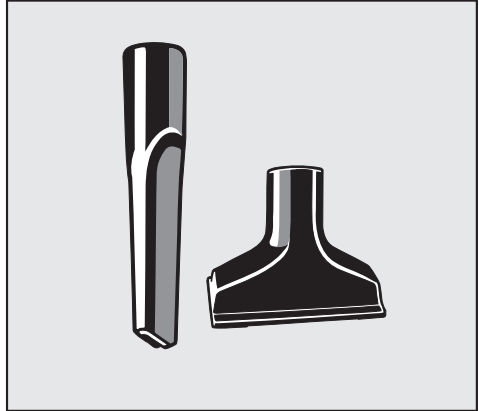
- Press the foot switch marked .



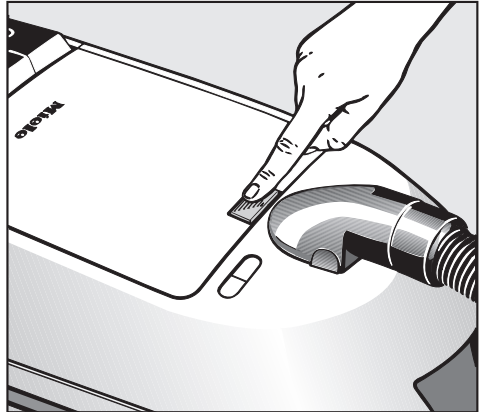
## Included accessories

The accessory tools for cleaning tough to reach areas are located in the accessory compartment.

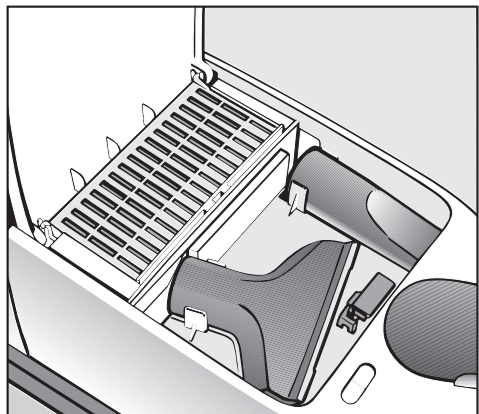
- Crevice nozzle
- Upholstery tool



- Press the release button to open the accessories compartment lid.



- Remove the accessory tool.
- Close the lid.



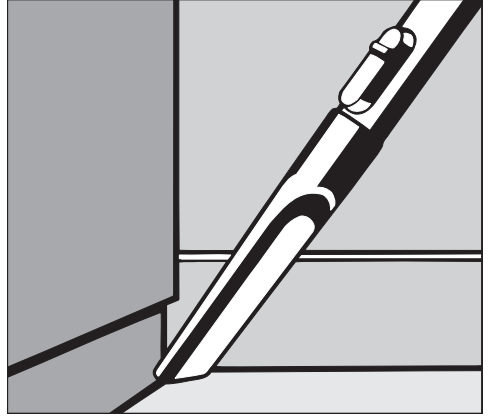
## Included accessories

---

The different tools can either be fitted to the handpiece or to the telescopic wand.

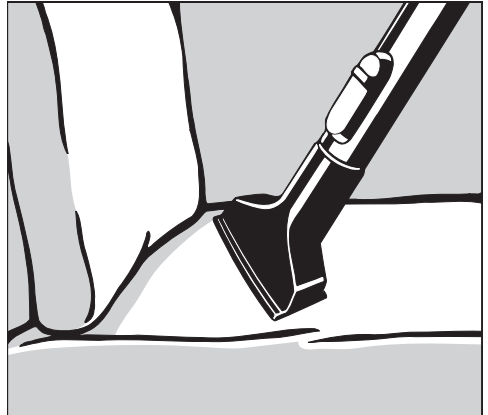
### Crevice nozzle

For cleaning in folds, crevices or corners.



### Upholstery tool


For cleaning upholstery, mattresses, cushions, curtains, covers, etc.

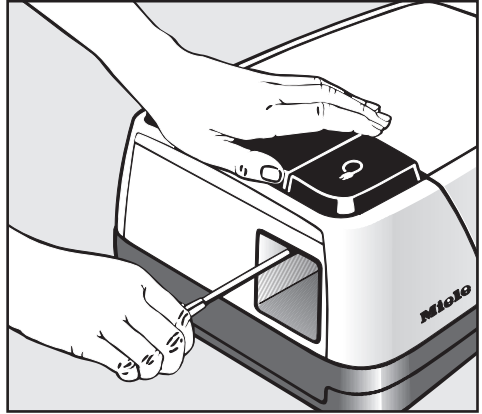


## Power cord

### Unwinding

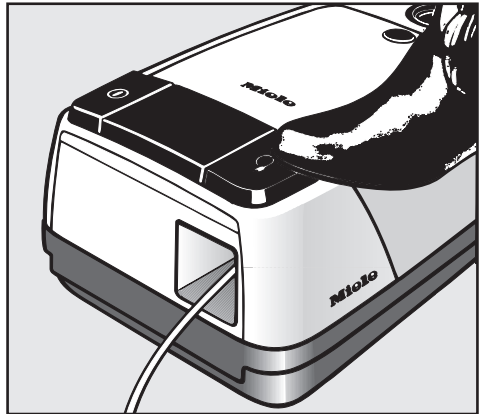
- Hold the plug and unwind as much of the cord as you need (maximum length 21' 4" [6.5 m]).

 If the vacuum is operated for more than 30 minutes, at least 14 feet (4.3 m) of the power cord must be unwound to prevent overheating.



### Rewinding

- Unplug the vacuum from the outlet.
- Step on the rewind switch to automatically rewind the power cord. Lightly hold the plug so that it does not whip around when rewinding.



# Use

## Turning the vacuum on and off

To turn the vacuum cleaner on or off:

- Step on the On-Off foot switch.


⚠ To prevent static discharge, your hand must touch the metal inlay on the underside of the vacuum handpiece. Be certain to continuously touch this inlay when vacuuming fine dust, flour, or saw dust as these materials are most likely to create static discharge.

To further prevent static discharge, pull the vacuum along by the hose with one hand while holding the handpiece in the other.



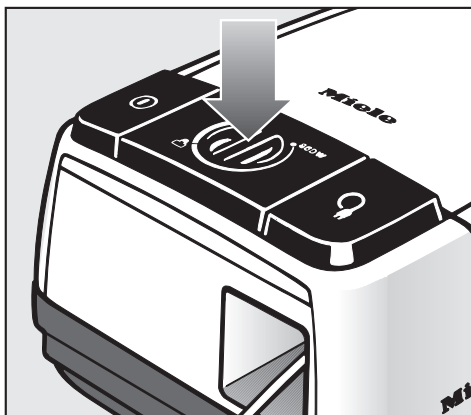
## Selecting the suction power

(models with suction power selector)

The suction power can be regulated to suit the type of flooring. Select the middle suction setting (symbol ) for smooth and hard floors and a higher setting for carpets.

### Rotary selector

- Turn the suction power selector to the appropriate setting.



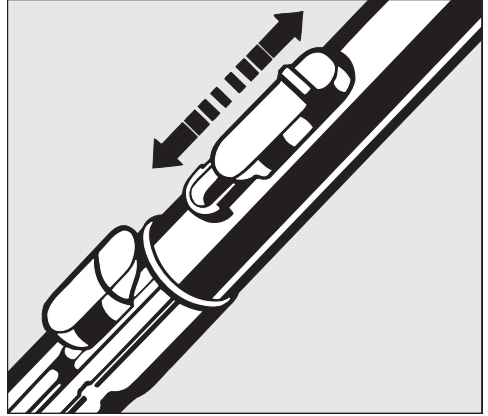
# Use

---

## Opening the air inlet valve

The air inlet valve can be opened for a quick reduction of suction, e.g. when moving from a carpet to an area rug.

- Slide open the air inlet valve just enough for the floor brush to move easily.



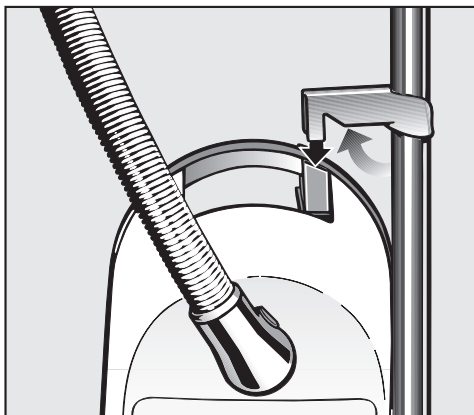
## Transport and storage

(models with wand bracket)

For easier transport and storage, the telescopic wand can be attached to the vacuum handle.

- Stand the vacuum cleaner vertically.
- Unfold the wand bracket and hang it on the handle of the vacuum.

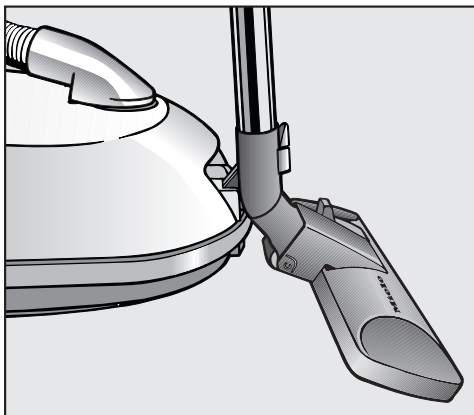
The wand bracket can be turned to hang off either side of the vacuum handle.



## Park-System

A Park-System has been designed for conveniently parking the telescopic wand during pauses.

- Insert the clip of the floor brush into the park bracket on the vacuum handle.



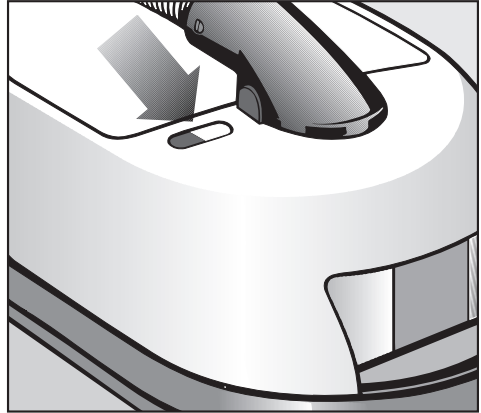
# Use

---

## Suction level indicator

This indicates when the dustbag needs to be changed.

- Set the suction power selector ( if present) to the highest setting and make sure the air inlet valve is closed.
- Hold the wand, with the floorbrush attached, off the floor. Turn on the vacuum and check if the red marker completely fills the indicator window.
- If the red marker fills the window, change the dust bag even if it is not completely full.



### Note:

The suction level indicator measures the amount of air flow through the dustbag.

Even if just a few ounces of cement, plaster or brick dust are sucked up, these fine particles will affect the permeability of the dustbag causing the red marker to indicate it is full even though it is practically empty. The dustbag should be changed as the suction power is greatly reduced.

If the bag is bulging with pet fur or carpet fluff, but the air flow is still high enough not to activate the red marker to fill the indicator window the dustbag should be changed. Both of these extremes can occur.

## When to replace the dustbag and filters

### Dustbag

Change the dustbag when the red marker in the dustbag change indicator fills the display.

### Exhaust filter (SUPER air clean)

A "SUPER air clean filter" is included with each box of Miele dustbags and should be changed when starting a new box of dustbags.

### Dust compartment filter (motor protection)

The dust compartment filter should be changed when starting a new box of dustbags or if heavily soiled.


## Where to purchase new dustbags and filters

Replacement dustbags and filters may be purchased from your Miele vacuum dealer.

Only use genuine Miele **F/J/M** dustbags.

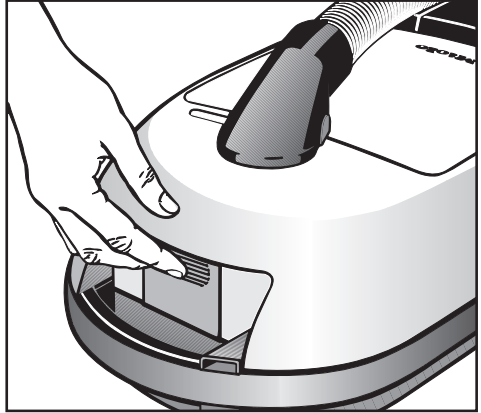
"SUPER air clean" exhaust filters and dust compartment filters are supplied with every box of Miele dustbags.

## Vacuum care

 Always turn off and unplug the vacuum cleaner before performing maintenance or cleaning.

### Changing the dustbag

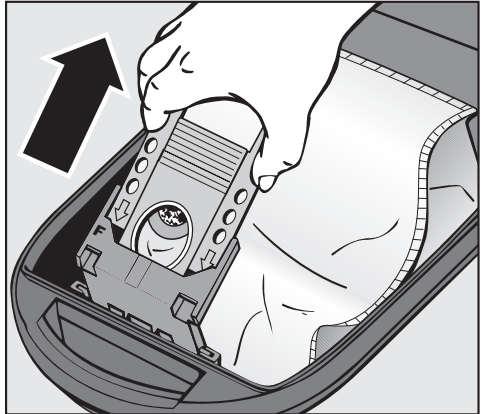
- Open the dust compartment lid by pressing the release button and raising the lid until it clicks into place.




- Grasp the card collar by the two finger holes and pull it out from the dustbag holder.

The dustbag has a flap which closes automatically to prevent dust escaping when the dustbag is removed.

It can be thrown out with the normal household trash as long as it has only been used for vacuuming household dust.

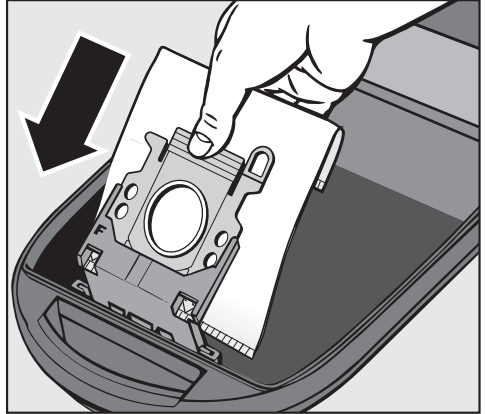


 Only use genuine Miele dustbags and filters to ensure optimum results and safety.

- To insert a new dustbag push the collar securely into the frame as far as it will go.

Do not unfold the dustbag when you take it out of the box. If it is unfolded or not inserted properly the dust compartment lid will not close.

- Close the dust compartment lid firmly. It should click into place.



# Vacuum care

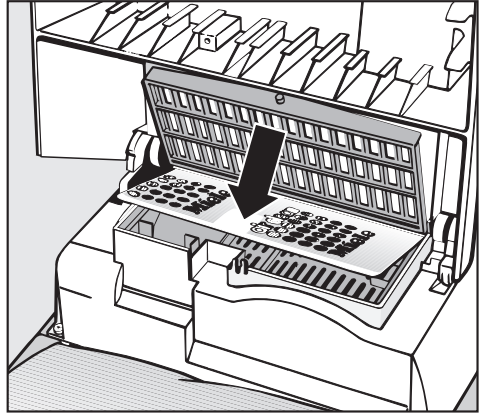
---

## Changing the filters

### Exhaust filter (SUPER air clean)

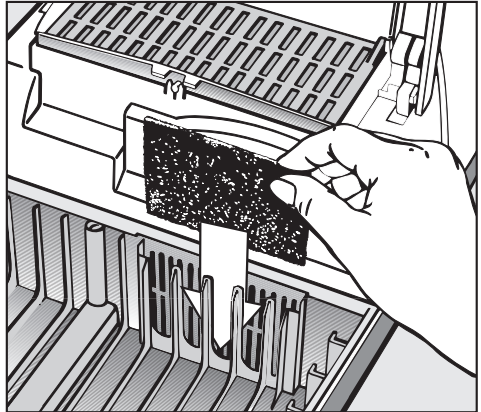
The "SUPER air clean filter" is a fine filter capable of trapping microscopic dust particles.

- Open the dust compartment lid.
- Open the filter frame and remove the used "SUPER air clean filter".
- Insert the new filter either way up.
- Close the filter frame.



### Dust compartment filter

- Open the dust compartment lid.
- Change the filter.
- Close the dust compartment lid.

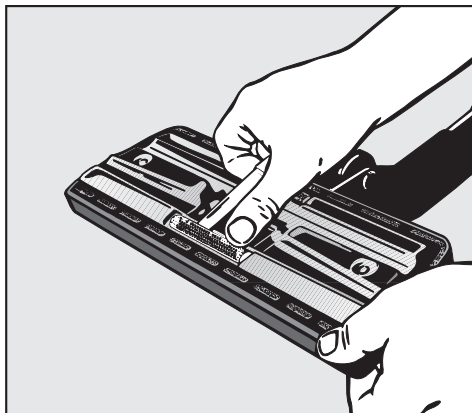


### Changing the thread catcher

The thread catcher pads on the bottom of the rug and floor tool should be checked occasionally. Replace the pads if they appear worn.

- Use a screwdriver as shown to remove the thread catcher from the slot.
- Press the new thread catcher into the slot.

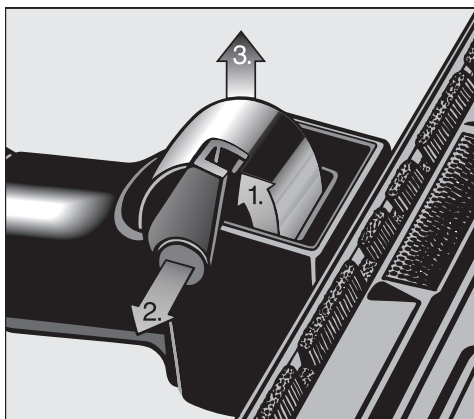
New thread catcher pads may be purchased from your Miele vacuum dealer.



### Removing threads or hair wrapped around the roller


1. Unlock the axle lever.
2. Pull out the roller axle.
3. Remove the roller.

Remove all threads or hair and reassemble in the reverse order.




## Vacuum care

---

 Always turn off the vacuum and unplug it from the outlet before performing maintenance or a repair.


### Vacuum cleaner and accessories

The external surfaces of the vacuum cleaner and of the accessories can be cleaned with a slightly damp cloth or with a cleaner suitable for plastic.

 Do not use abrasive, glass or all purpose cleaners! They will damage the surface.

### Dust compartment

The dust compartment, if necessary, can be cleaned using a **dry** cloth, dusting brush or a second vacuum to suck out any dust.

 Do not submerge the vacuum cleaner in water! If moisture gets into the vacuum there is a risk of an electric shock.

## Frequently asked questions

<b>What if the vacuum cleaner turns off while vacuuming?</b>	
<b>Possible fault</b>	<b>Fix</b>
The vacuum has overheated. The temperature limiter switched off the vacuum automatically.	Turn off the vacuum at the On - Off switch. Check the telescopic wand and the suction hose for blockages. Replace the dustbag or filters if necessary. Unwind the full length of the power cord. Allow the vacuum to cool down for 30 minutes.
<b>What if the suction of the vacuum is not strong enough?</b>	
<b>Possible fault</b>	<b>Fix</b>
The suction power selector is set too low.	Increase the suction level.
The dustbag is full or clogged with fine dust particles.	Replace the dustbag.

## Technical Service


---


In the event of a fault which you can not correct, please contact:

– Your Miele Dealer

or

– The Miele Technical Service  
Department

 1-800-999-1360  
techserv@mieleusa.com

 1-800-565-6435  
service@miele.ca

When contacting the Technical Service Department, please quote your vacuum model number. The model number can be found on the silver data sticker located on the underside of the vacuum.

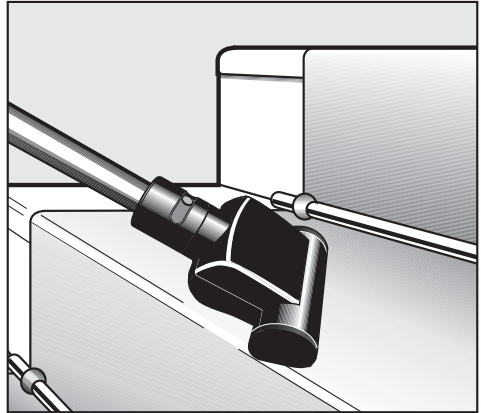
### Turbobrush

Recommended for cleaning crushed pile on low nap rugs or carpets. The turbobrush is mechanically driven by the suction power of the vacuum. No electrical connection or electrical hose is necessary.



### Hand Turbobrush

The hand Turbobrush is intended for vacuuming upholstery, mattresses, car seats, carpeted stairs, etc.



# Optional accessories

---

## Hard floor brush

For cleaning sturdy hard floors, e.g. tiles and stone floors.



## Parquet floor brush

The parquet floor brush has natural bristles for vacuuming scratch-sensitive hard floors, e. g. parquet and laminate.



## Mattress tool

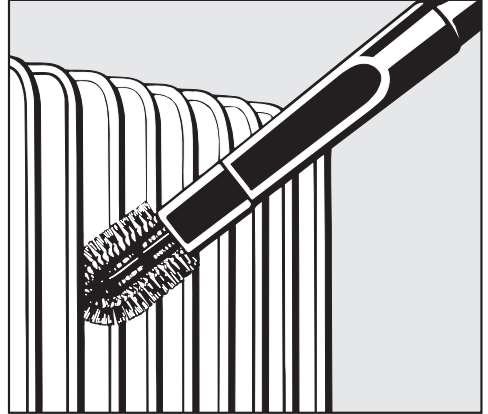
For vacuuming mattresses and upholstery. Even deep crevices of a mattress can be vacuumed easily.



### Radiator brush

For cleaning radiators, narrow shelves or crevices.

- Attach the radiator brush to the crevice nozzle.



### Dusting brush

For dusting delicate objects, woodwork such as base boards and window sills.

The head of the dusting brush can be swivelled for easier cleaning.



### Universal brush

For dusting books, shelves, etc.



## Optional accessories

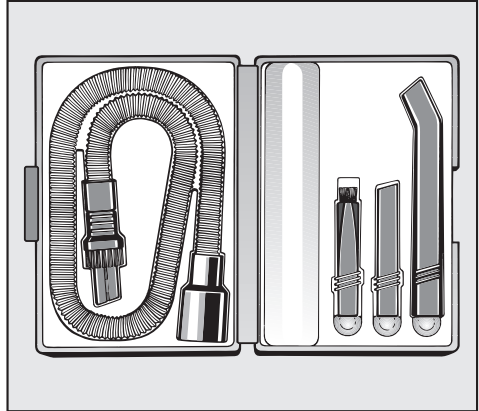
---

### MicroSet

Specially designed for cleaning small objects and difficult to reach areas (such as PC keyboards, stereo equipment, carved furniture, models etc.)

The MicroSet includes:

- micro hose with combi nozzle,
- micro dust brush,
- micro crevice nozzle,
- angled extension.

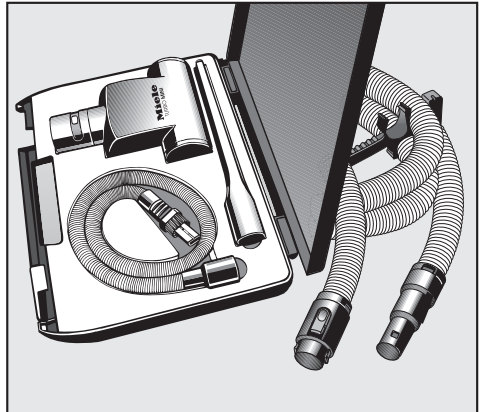


### CarClean Set Plus

Specially designed for cleaning narrow crevices, tight upholstery, floor mats and tight spaces in a car.

The CarClean Set Plus includes:

- Hand Turbobrush,
- Micro hose with combi nozzle,
- Crevice tool,
- a 10 foot (3 m) long suction hose with holder.









**When contacting the Technical Service,  
please quote the model and serial number  
of your appliance.**

---



**Miele, Inc.** (USA)

**National Headquarters**

9 Independence Way  
Princeton, NJ 08540  
Phone: 800-843-7231  
609-419-9898  
Fax: 609-419-4298  
[www.miele.com](http://www.miele.com)

**Technical Service & Support  
Nationwide**

Phone: 800-999-1360  
Fax: 888-586-8056

**Miele Limited** (CDN)

**Headquarters and Showroom**

161 Four Valley Drive  
Vaughan, ON L4K 4V8  
Phone: 800-643-5381  
905-660-9936  
Fax: 905-532-2290  
[www.miele.ca](http://www.miele.ca)  
[info@miele.ca](mailto:info@miele.ca) (general enquiries)  
[professional@miele.ca](mailto:professional@miele.ca) (commercial enquiries)

**MieleCare National Service**

Phone: 800-565-6435  
905-532-2272  
Fax: 905-532-2292  
[service@miele.ca](mailto:service@miele.ca) (technical enquiries)