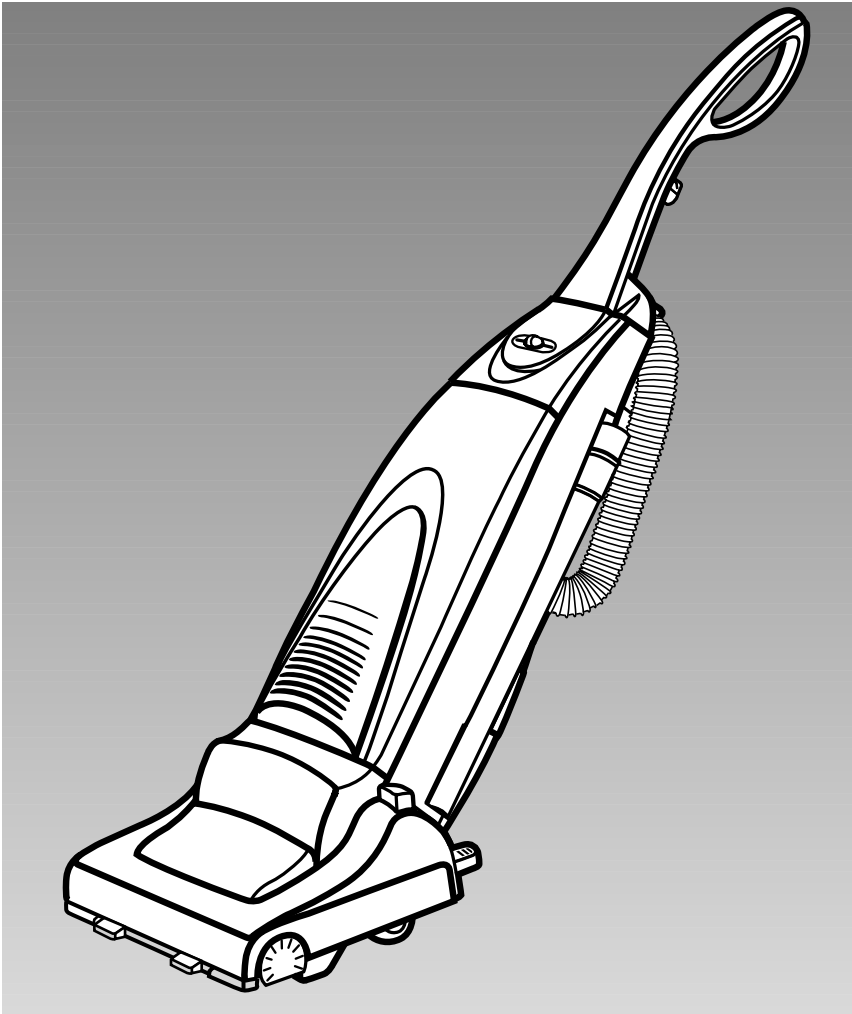


Operating Instructions

Vacuum Cleaner
S179i



Miele[®]

Please carefully study these Operating Instructions before attempting to operate the unit and note the listed Important Safety Instructions.

IMPORTANT SAFETY INSTRUCTIONS

When using this vacuum cleaner, basic precautions should always be followed, including the following:

READ ALL INSTRUCTIONS BEFORE USING THIS VACUUM CLEANER

WARNING To reduce the risk of fire, electric shock, or injury:

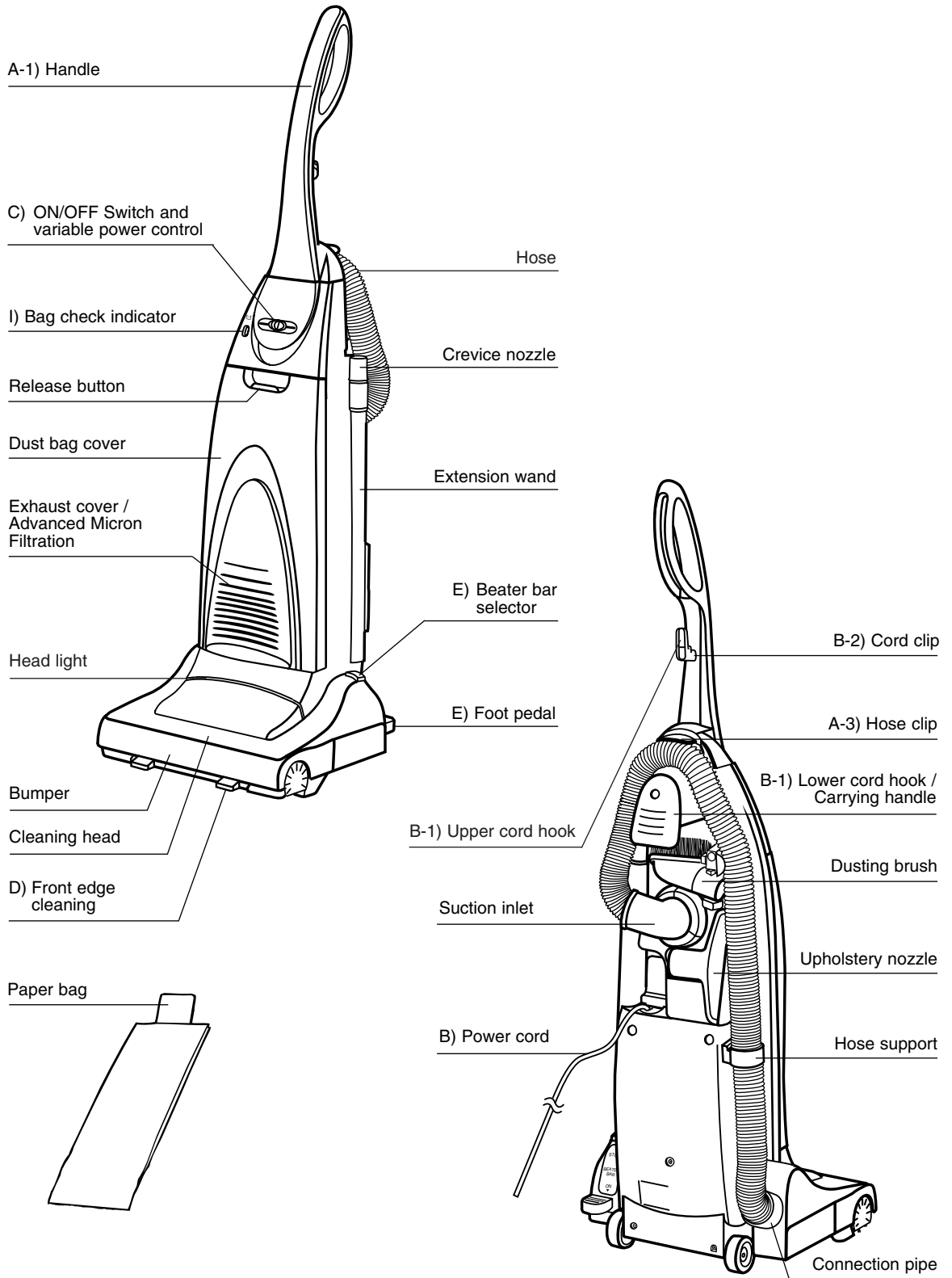
- Do not leave the vacuum cleaner unattended when it is plugged in. Unplug from the outlet when not in use and before servicing.
- Electric shocks can occur if used outdoors or on wet surfaces.
- Do not allow to be used as a toy. Close attention is necessary when used by or near children.
- Use only as described in this manual. Use only manufacturer's recommended attachments.
- Do not use with damaged cord or plug. If vacuum cleaner is not working as it should, has been dropped, damaged, left outdoors or dropped into water, bring it to a service center.
- Do not pull or carry by cord, use cord as a handle, close a door on cord, or pull cord around sharp edges or corners. Do not run vacuum cleaner over cord. Keep cord away from heated surfaces.
- Do not unplug by pulling on cord. To unplug, grasp the plug not the cord.
- Do not handle plug or vacuum cleaner with wet hands.
- Do not put any object into openings. Do not use with any opening blocked; keep free of dust, lint, hair and anything that may block or reduce air flow.
- Keep hair, loose clothing, fingers, and all parts of body away from openings and moving parts.
- Do not pick up anything that is burning or smoking, such as cigarettes, matches or hot ashes.
- Do not use without dust bag and/or filters in place.
- Turn off all controls before unplugging.
- Use extra care when cleaning on stairs.
- Do not use to pick up flammable or combustible liquids such as gasoline or use in areas where they may be present.

SAVE THESE INSTRUCTIONS

THIS VACUUM CLEANER IS INTENDED FOR HOUSEHOLD USE ONLY

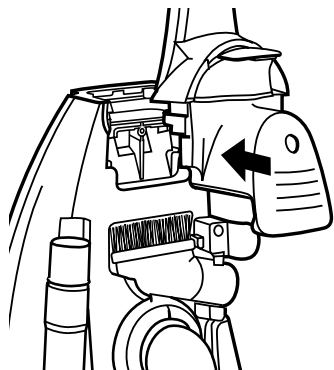
Notice- Before you plug in your Vacuum Cleaner, make sure that the voltage indicated on the rating plate located at the rear of the vacuum cleaner is the same as your local supply.

IDENTIFICATION OF MAIN PARTS

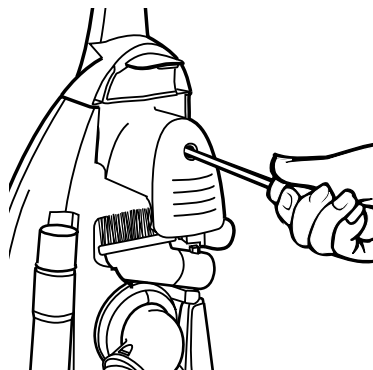


HOW TO ASSEMBLE / OPERATE YOUR CLEANER

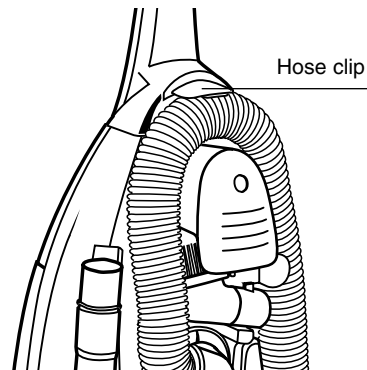
A) HANDLE ASSEMBLY



1) Align the handle with the body of the cleaner as shown in the illustration.

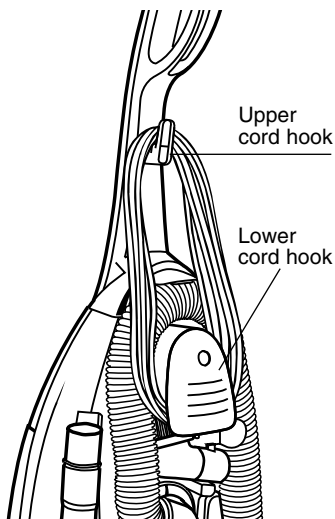


2) Insert the base of the handle into the top of the body of the machine. Push in handle and tighten the screw. The screw can be found in the bag with these operating instructions. **IMPORTANT:** Do not over tighten the screw.

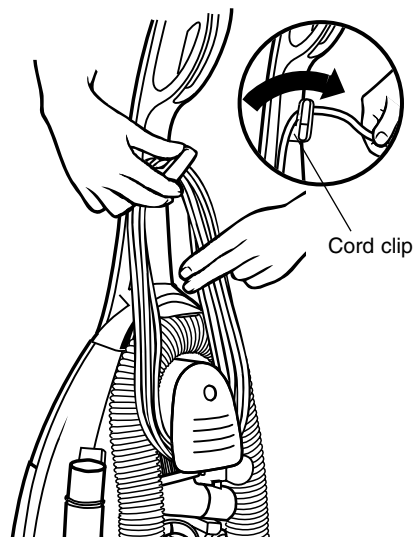


3) Place the hose under the hose clip. Push in to secure. **NOTE:** Always store the hose in the clockwise direction.

B) POWER CORD RELEASE / STORAGE



1) Turn the upper cord hook to the upright position and wind the power cord around the upper and lower cord hooks.



1) To release the power cord, turn the upper hook. Then set the power cord into the cord clip to help secure it during use.

NOTE: To reduce the risk of electric shock, this appliance has a polarized plug (one blade is wider than the other). This plug will fit in a polarized outlet in only one way. If the plug does not fit in the outlet, reverse the plug. If it still does not fit, contact a qualified electrician to install the proper outlet. Do not change the plug in any way.

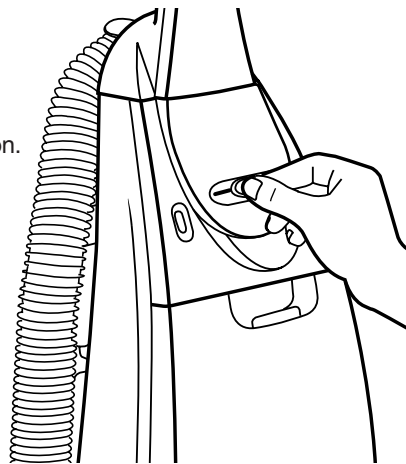
To avoid any possible damage to the power cord, never run over the cord or allow it to become caught in the beater bar.

C) ON / OFF SWITCH AND VARIABLE POWER CONTROL

The sliding button - located on the control panel - is used to switch the vacuum cleaner ON/OFF and vary the motor speed depending on the suction required.

To switch ON, slide the button sideways. By sliding the button further sideways, the power will gradually be increased.

To switch OFF, slide the button back until it clicks back into the "0" position.

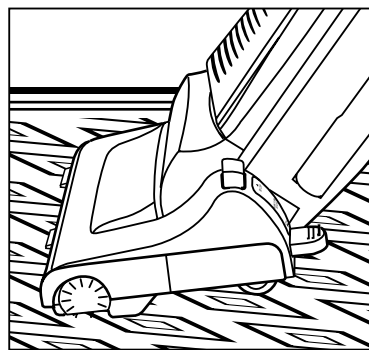
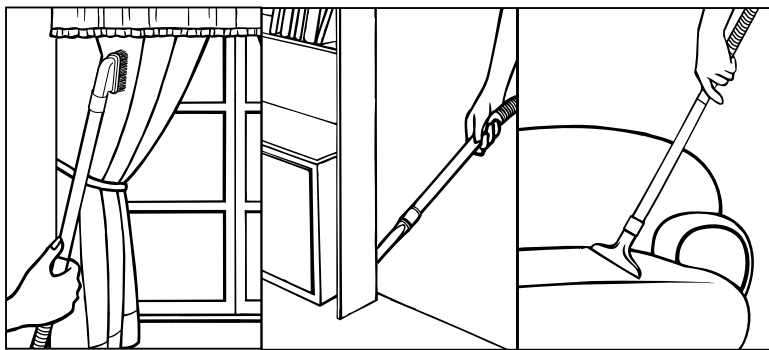


VARIABLE POWER CONTROL

This vacuum cleaner has a variable power control to select the most suitable power, according to your cleaning needs.

MIN.: To clean curtains and soft furnishings etc., with tool attached.

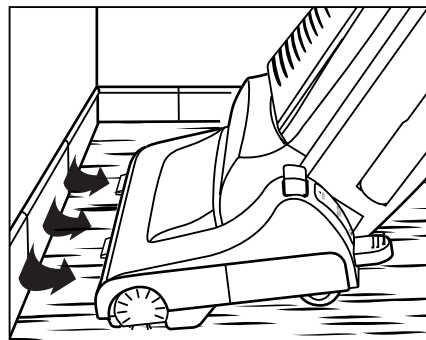
MAX.: To clean continuously with high suction.



D) FRONT EDGE CLEANING

Front Edge Cleaning System

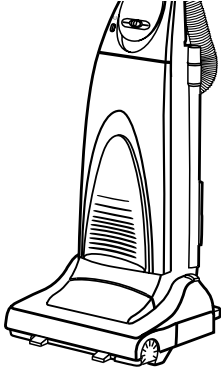
This cleaner features a Front Edge Cleaning System which automatically operates when the front of the cleaning head makes contact with a wall, furniture or a similar object.



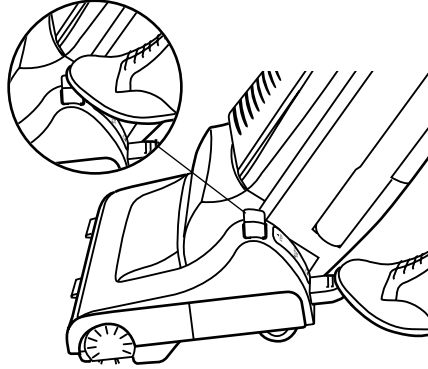
E) HANDLE HEIGHT AND BEATER BAR ADJUSTMENT

To lower the body of the cleaner, step on the foot pedal at the bottom left corner of the vacuum cleaner. Once the body is reclined, the brush will automatically start to rotate.

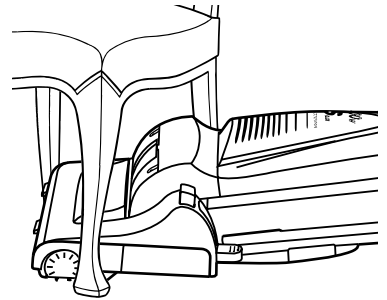
If you wish to stop the beater bar, simply return the cleaner into the upright position. In case you want to stop the beater bar while the cleaner is in the reclined position, push the beater bar stop pedal located on the left side of the cleaning head, just above the foot pedal.



1. Upright position
The body should be in an upright position when cleaning tools are used.



2. Middle position
For normal cleaning, press the foot pedal and pull back the handle to a comfortable angle. Release the pedal to lower the cleaning head.

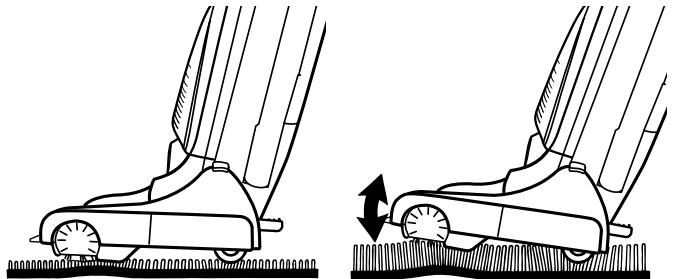


3. Low position
For cleaning under furniture, press the pedal a second time and lower the handle down to the floor as shown.

F) AUTOMATIC HEIGHT ADJUSTMENT

Your Miele vacuum cleaner has an **Automatic Height Adjustment**, feature which adjusts the cleaning head to the proper height of any carpet pile.

This system allows you to move from one carpeted area to another, without having to make manual adjustments.

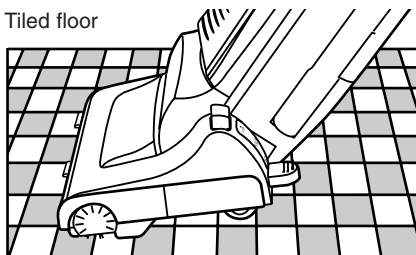


G) FLOOR SCRATCH PREVENTION

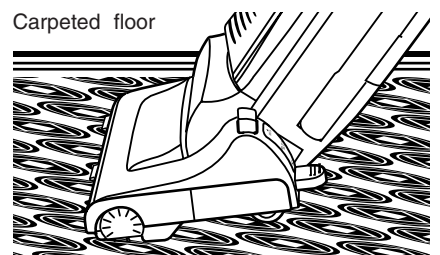
To prevent scratching floors while using the vacuum cleaner on tiled or polished floors, two small wheels are built into the base plate.

These two wheels also make it easy to slide the vacuum cleaner across carpeted floors.

Tiled floor



Carpeted floor



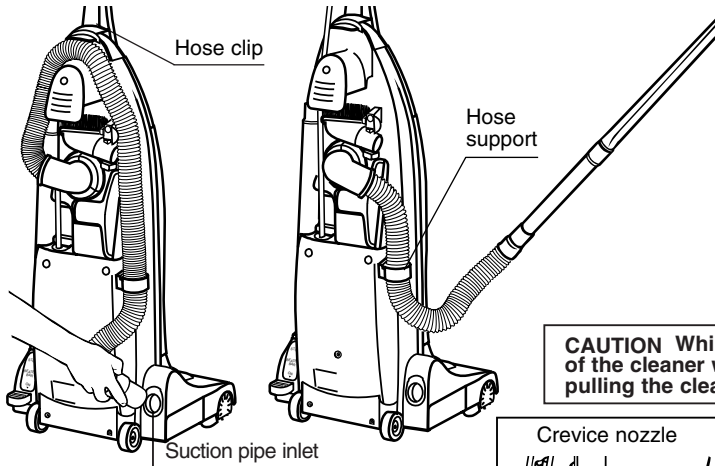
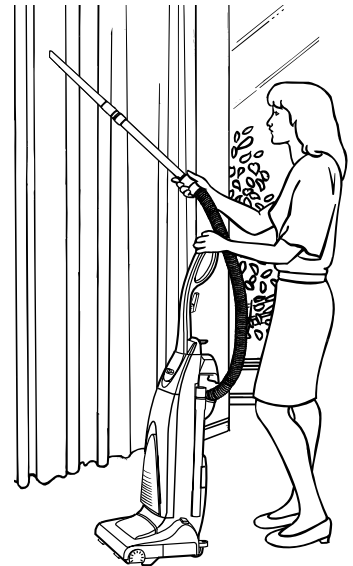
H) HOW TO USE THE ACCESSORIES

1) To use the accessories always keep the vacuum cleaner in the upright position.

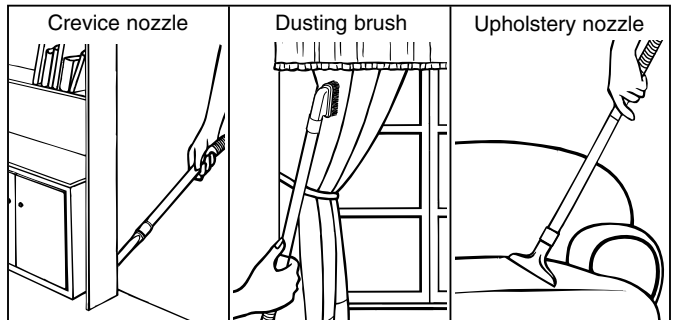
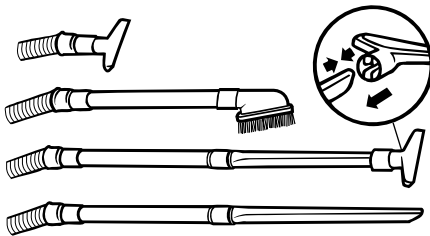
2) Pull out the hose from the suction pipe inlet and remove it from the hose clip. Then slide the hose through the hose support and connect any accessory as illustrated below.

Important: For a longer reach, remove the hose support from its fastening and hold the handle of the cleaner with one hand to avoid pulling the cleaner over.

NOTE: After finishing with the accessories, re-insert the hose in the suction pipe inlet and place it into the hose clip and hose support.



CAUTION While using the accessories, hold the handle of the cleaner with one hand, as shown above, to avoid pulling the cleaner over.



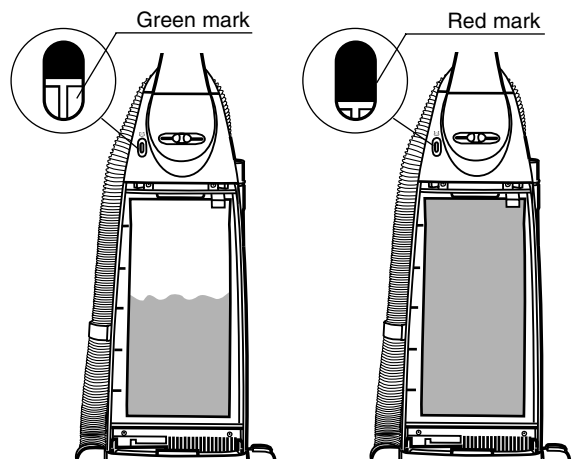
I) BAG CHECK INDICATOR

The bag change indicator is a visual aid to advise you of the condition of the dust bag. The GREEN mark indicates that the dust bag is still empty.

The RED mark will appear when airflow through the bag is insufficient. When this happens, check the dust bag, it may be full or blocked with fine dust and needs replacing.

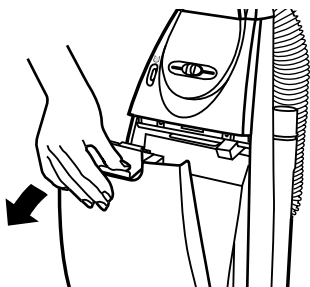
NOTE: If after replacing the bag, the RED indicate still appears in the window, check to see if the hose or suction inlet is clogged. (see BLOCKAGES).

When using the crevice nozzle the red mark may appear. This is due to reduced air flow and not an indication that the bag is full.

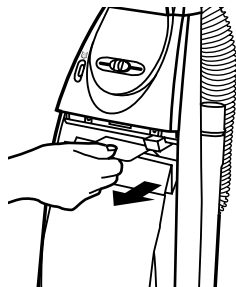


CAUTION: DISCONNECT THE CLEANER FROM THE OUTLET BEFORE PERFORMING THE OPERATIONS BELOW

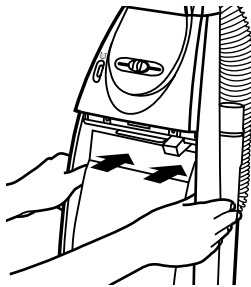
REPLACING THE DUST BAG



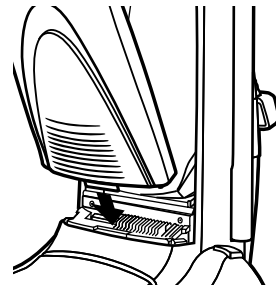
1) Push the release button on the dust cover as shown, and pull it forward.



2) Grip the cardboard on the dust bag and pull out.



3) Install the dust bag by pressing the cardboard as shown. Before replacing the dust cover, make sure all the edges of the dust bag are completely inside the compartment.



4) Replace the dust cover by inserting the tab into the body slot then push the top of the cover into place.

NOTE: If the dust bag is not installed correctly, the dust cover will not close.

We recommend the use of genuine Miele paper bags only; Part # 5294740 Type Z

FILTER CARE

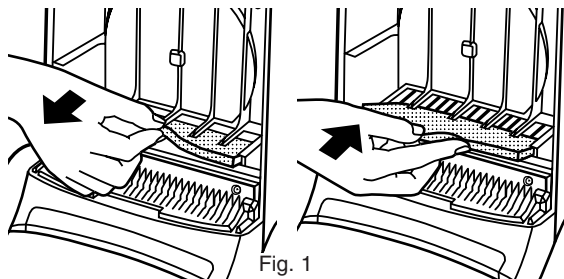


Fig. 1

In addition to the dust bag, the vacuum cleaner contains two filters; a central filter that protects the motor (Fig.1) and an Advanced Micron Filter, "Clean air filter" that removes particles from the exhausted air (Fig. 2).

The Advanced Micron Filter should be changed every six months or whenever it becomes dirty. The central filter should be changed or rinsed out whenever the Advanced Micron Filter is replaced.

IMPORTANT: Do not forget to re-install the filters before use.

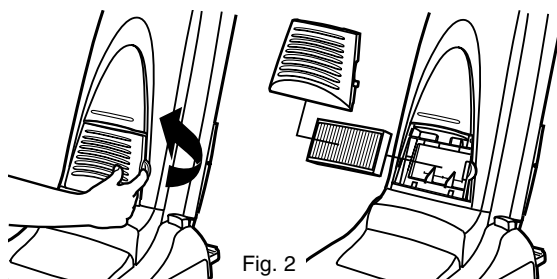


Fig. 2

CENTRAL FILTER (Fig. 1)
Part # F03M1000

To remove, slide the central filter forward out of this housing.

IMPORTANT: If the central filter has been rinsed out, make sure it is dry before re-installing it.

ADVANCED MICRON FILTER (Fig. 2)
Part # S02R5000

To change the Advanced Micron Filter, simply remove the exhaust cover as shown and replace the filter.

TROUBLE SHOOTING GUIDE

Before returning the vacuum cleaner to a Miele Service Center, check the following points:

TROUBLE	CHECK POINT	CAUSE / REMEDY
Motor fails to rotate (no noise is heard at all).	<ul style="list-style-type: none"> • Mains plug connection. 	<ul style="list-style-type: none"> • Mains plug is connected firmly and mains outlet is ON.
Motor runs but no suction.	<ul style="list-style-type: none"> • Hose inlet is blocked. • Check the bag change indicator. • Paper bag broken or clogged. • Central filter. 	<ul style="list-style-type: none"> • If there is clog, remove it. • If shows full, replace the paper bag. • If the paper bag is broken, replace it. • If the central filter is full of dust, clean or replace it.
Beater bar does not rotate.	<ul style="list-style-type: none"> • Beater bar / blocked. • Belt broken or loose. 	<ul style="list-style-type: none"> • If there is an obstruction, remove it. • If belt is broken replace it. If loose re-install it again.

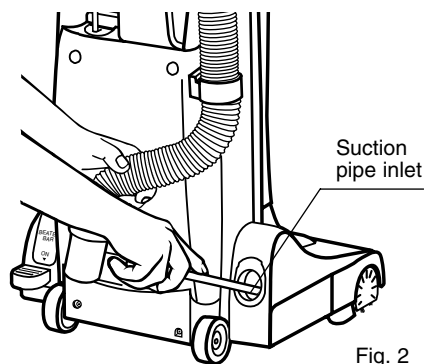
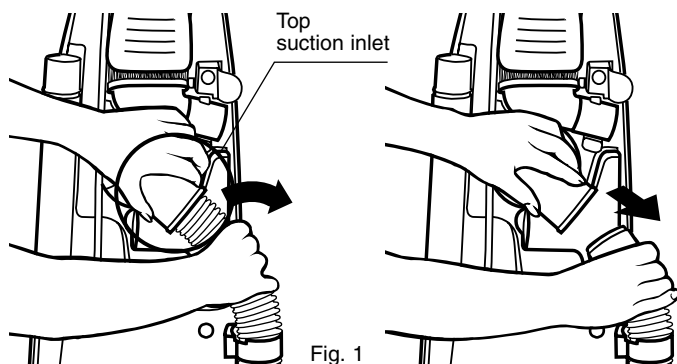
BLOCKAGES - UNPLUG THE MACHINE FROM THE WALL

If your vacuum stops picking up dust, or the Bag Change Indicator shows "Full" while the dust bag is still empty, a blockage may have occurred.

To remove the obstruction, proceed as follows:

Remove the hose from the top suction inlet by pushing the two small clips in turning the hose to the right and pulling it out (Fig. 1). Clear any obstruction from the hose or top suction inlet using a blunt implement, taking care not to damage the hose.

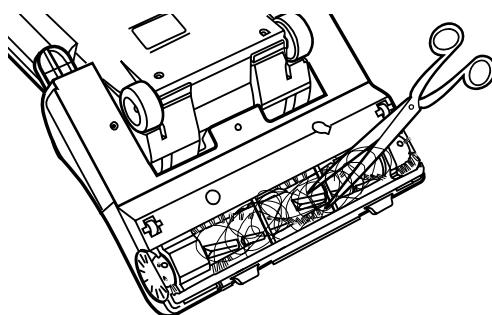
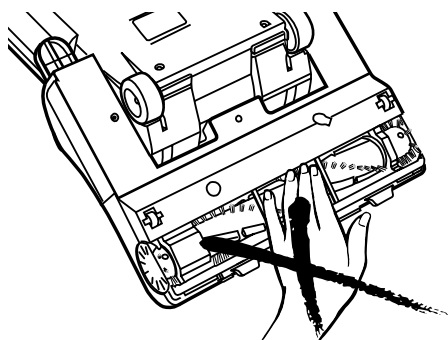
If the obstruction occurs in the suction pipe inlet, it can be removed as shown in Fig. 2.



MAINTENANCE FOR THE BEATER BAR

DO NOT USE YOUR FINGERS OR HANDS TO REMOVE OR CLEAN THE BEATER BAR.

When it is necessary to remove thread, string, hair, etc., which has wound around the beater bar, cut across them with a pair of scissors making sure not to cut the brush.



REPLACING PARTS

Use only genuine Miele replacement parts.

DISCONNECT THE CLEANER FROM THE ELECTRICAL SUPPLY.

If you have any questions, contact your local dealer / service agent.

Any service needed other than described in these Operating Instructions should be performed by a Miele Service Center only.

To replace any of the following parts, place the vacuum cleaner in the horizontal position by using the pedal. Then turn it over exposing the underside.

HOW TO REPLACE - DRIVE BELT (Part # S01R4000) AND BEATER BAR ASSEMBLY (Part # R98M9064)

1. Remove the 5 screws from the base plate and lift it off. (Fig. 1)

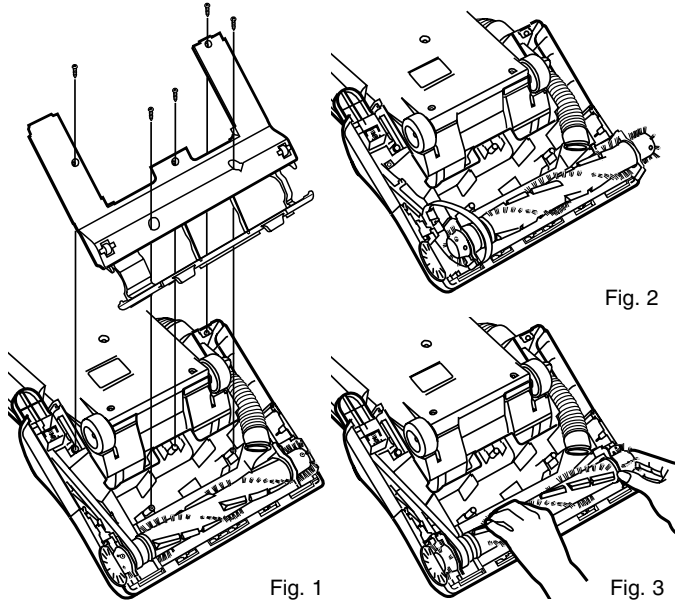
2. Release the belt from the motor shaft and lift the beater bar assembly to remove the belt. (Fig. 2)

3. To reassemble the beater bar assembly, simply return the belt to the motor shaft and beater bar pulley.

Re-insert the bar mounts into their holders, and turn the beater bar to ensure that the belt has been seated correctly. (Fig. 3)

IMPORTANT: Make sure the belt is correctly positioned in the selector lever.

4. Replace the base plate and re-fasten the screws securely.

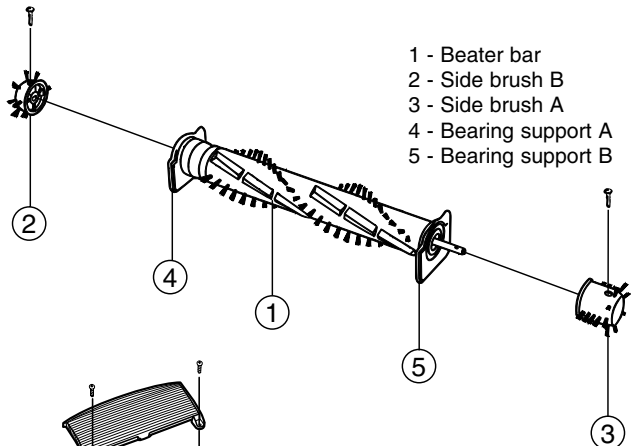


HOW TO REPLACE - BEATER BAR / SIDE BRUSHES / BEARING SUPPORT A-B

1. First remove the base plate, drive belt and lift out the beater bar assembly (as illustrated above).

2. Remove the 2 screws at both ends of the beater bar assembly and separate the different parts as shown in the exploded view.

3. Replace any damaged part and reassemble in reverse order.

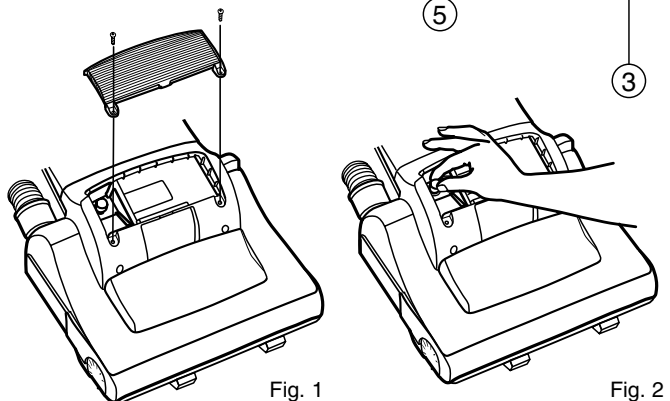


HOW TO REPLACE HEADLIGHT BULB

1. Loosen the 2 screws from the lens cover and remove it. (Fig.1)

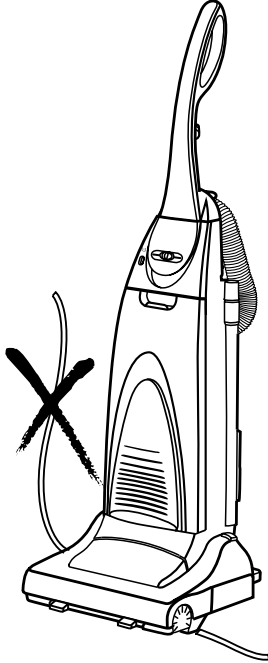
2. Remove the old bulb by simply pulling it forward, and replace it with a new one. (Consult your local dealer /Service agent for a suitable bulb) (Fig. 2)

3) Replace the lens cover and re-fasten the screws securely



CORD CARE

To avoid damaging the power cord, never run over the cord or allow it to become caught in the beater bar when using the vacuum cleaner.



Hold any excess cord in your free hand while vacuuming in order to avoid running over the cord.

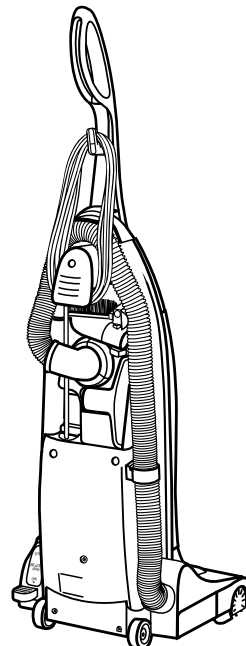


STORING THE APPLIANCE

To store the vacuum:

- 1) Return the vacuum cleaner to the upright position.
- 2) Turn off the vacuum cleaner.
- 3) Unplug it from the electrical supply.
- 4) Replace the hose and accessories.
- 5) Store the power cord as outlined in "POWER CORD STORAGE".

Store the cleaner away from heat sources, such as radiators, fires or direct sunlight.



Miele

National Headquarters

MIELE, INC.
9 INDEPENDENCE WAY
PRINCETON, NJ 08540
Phone: (609) 419-9898
or (800) 843-7231
Fax: (609) 419-4298
www.miele.com

Showroom Locations

National Headquarters
Miele, Inc.
9 Independence Way
Princeton, NJ 08540
Phone: (609) 419-9898
Fax: (609) 419-4298

Southwest

Miele, Inc.
1400 Turtle Creek Boulevard
Suite 177
Dallas, TX 75207
Phone: (214) 752-9000
Fax: (214) 752-6307

MidWest

Miele, Inc.
3100 West Dundee Road
Suite 901
Northbrook, IL 60062
Phone: (847) 714-9433
Fax: (847) 714-9434

Southeast

Miele, Inc.
7680 Nort Federal Highway
Boca Raton, FL 33487
Phone: (561) 995-8030
Fax: (561) 995-8083

West Coast

Sierra Showroom
Sobel Building
680 Eighth Street
Suite 169-A
San Francisco, CA 94103
Phone: (415) 241-6820
Fax: (415) 241-7317

Southern California

Miele, Inc.
Southern California Showroom
189 North Robertson Blvd
Beverly Hills, CA 90211
Phone: (310) 855-9470
Fax: (310) 358-0238

New England

Miele, Inc.
New England Showroom
555 Washington Street
Wellesley, MA 02482
Phone: (781) 431-2225
Fax: (781) 431-0003
Toll free (Wellesley area only):
(877) 53 MIELE (64353)

Canadian Head Office

MIELE, LTD

55G East Beaver Creek Road
Richmond Hill
Ontario, L4B 1E5
Téléphone: (800) 565-6435
Téléphone: (905) 707-1171
Fax: (905) 707-0177

Showroom Locations

Quebec

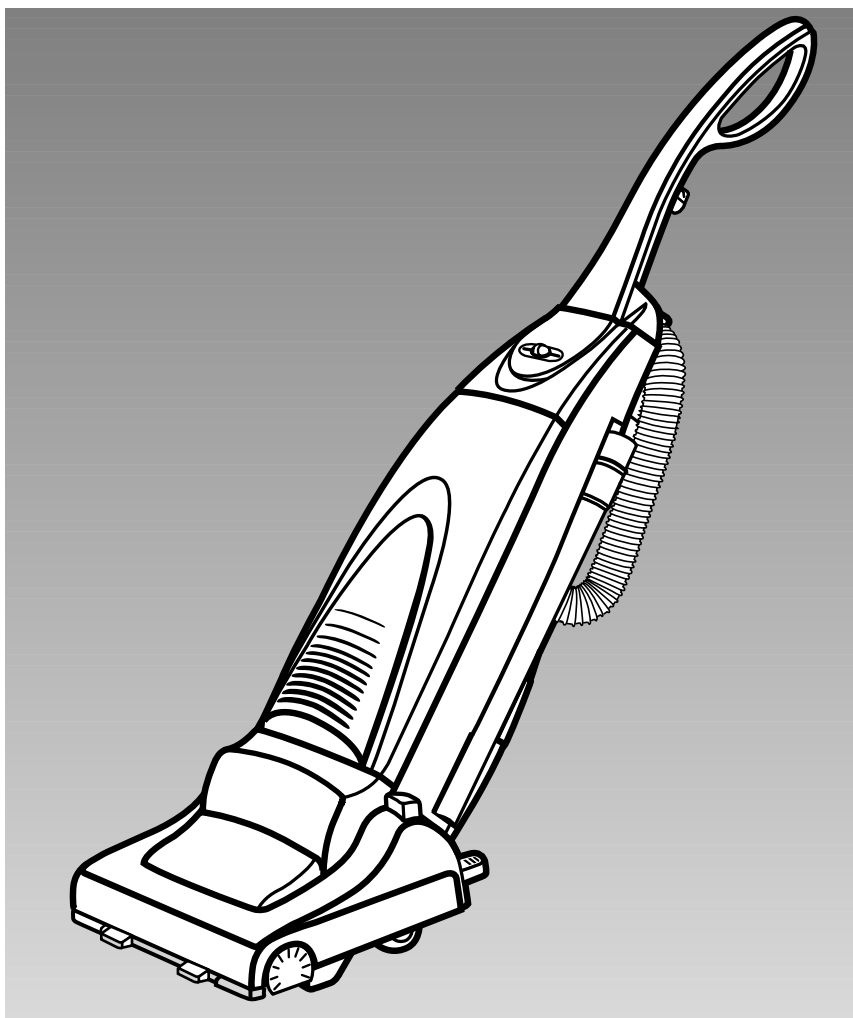
Miele, Ltd
400 Laurier Ave, West
Suite 600
Montreal, Quebec H2V 2K7
Téléphone: (877) 635-4353
ou (514) 277-1818
Fax: (514) 277-1838

British Columbia

Miele, Ltd
3731 North Fraser Way
Unit 200
Burnaby, British Columbia V5J 5J2
Téléphone: (604) 434-1300
Fax: (604) 434-1309

Mode d'emploi

Aspirateur
S179i



Miele®

Nous vous conseillons fortement de lire attentivement ces instructions d'utilisation et de prendre note des mesures de sécurité importantes avant d'utiliser cet appareil.

MESURES DE SÉCURITÉ IMPORTANTES

L'utilisation d'un appareil électrique exige certaines précautions:

LIRE TOUTES LES INSTRUCTIONS AVANT DE FAIRE FONCTIONNER CET ASPIRATEUR

AVERTISSEMENT:

Pour réduire les risques d'incendie, de choc électrique ou de blessure:

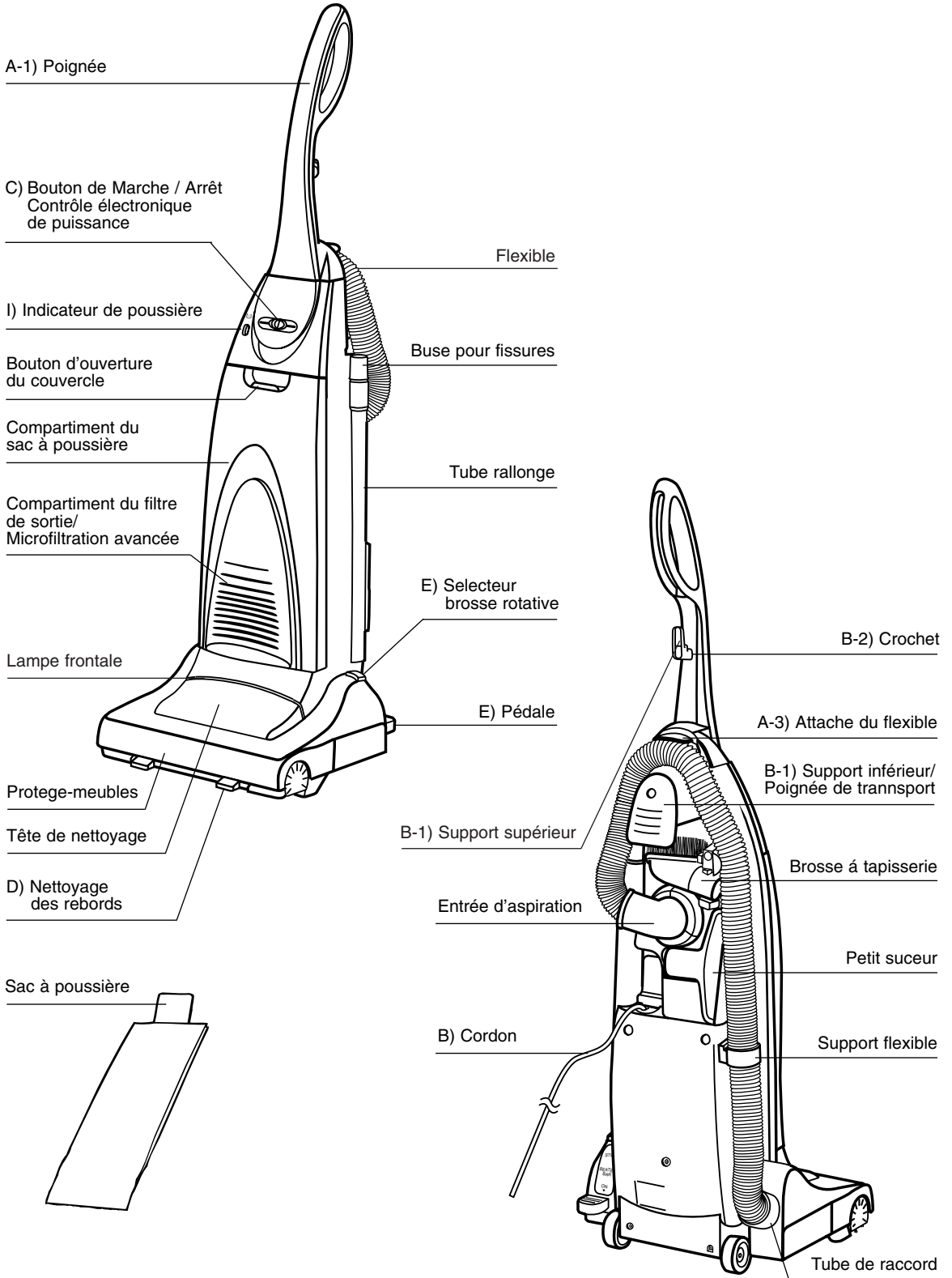
- Ne pas laisser l'appareil sans surveillance lorsqu'il est branché. Débrancher l'appareil lorsqu'il n'est pas utilisé et avant l'entretien.
- Ne pas utiliser à l'extérieur et ne pas aspirer de matières humides.
- Ne pas permettre aux enfants de jouer avec l'appareil. Une attention particulière est nécessaire lorsque l'appareil est utilisé par des enfants ou à proximité de ces derniers.
- N'utiliser que conformément à cet avis avec les accessoires recommandés par le fabricant.
- Ne pas utiliser si le cordon ou la fiche est endommagé. Retourner l'appareil à un atelier de réparation s'il ne fonctionne pas bien, s'il est tombé ou s'il a été endommagé, oublié à l'extérieur ou immergé.
- Ne pas tirer, soulever ou traîner l'appareil par le cordon. Ne pas utiliser le cordon comme une poignée, le coincer dans l'embrasure d'une porte ou l'appuyer contre des arêtes vives ou des coins. Ne pas faire rouler l'appareil sur le cordon. Garder le cordon à l'écart des surfaces chaudes.
- Ne pas débrancher en tirant sur le cordon. Tirer plutôt la fiche.
- Ne pas toucher la fiche ou l'appareil lorsque vos mains sont humides.
- N'insérer aucun objet dans les ouvertures. Ne pas utiliser l'appareil lorsqu'une ouverture est bloquée. S'assurer que de la poussière, de la peluche, des cheveux ou d'autres matières ne réduisent pas le débit d'air.
- Garder les cheveux, les vêtements, les doigts et toutes les parties du corps à l'écart des ouvertures et des pièces mobiles.
- Ne pas aspirer de matières en combustion ou qui dégagent de la fumée, comme des cigarettes, des allumettes ou des cendres chaudes.
- Ne pas utiliser l'appareil si le sac à poussière ou le filtre n'est pas en place.
- Mettre toutes les commandes à la position ARRÊT avant de débrancher l'appareil.
- User de prudence lors du nettoyage des escaliers.
- Ne pas aspirer des liquides inflammables ou combustibles, comme de l'essence, et ne pas faire fonctionner dans des endroits où peuvent se trouver de tels liquides.

CONSERVER CES INSTRUCTIONS

CET ASPIRATEUR A ÉTÉ CONÇU POUR UNE UTILISATION DOMESTIQUE

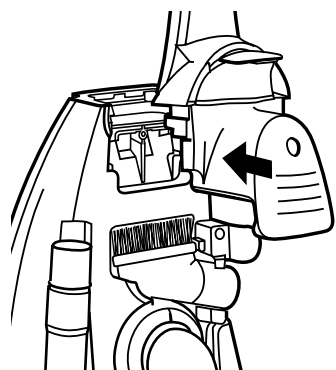
Remarque: Avant de brancher l'appareil, il faut vérifier la tension indiquée sur la plaque des caractéristiques de l'appareil qui se trouve au dos de l'appareil. Cette tension doit être la même que celle de la prise électrique.

IDENTIFICATION DES PIÈCES PRINCIPALES

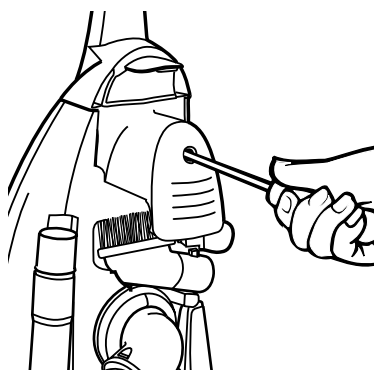


COMMENT ASSEMBLER / UTILISER VOTRE ASPIRATEUR

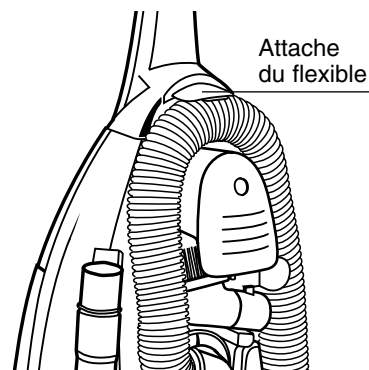
A) COMMENT MONTER LE MARCHE



1) Insérer la base du manche en haut du corps de l'appareil, tel qu'indiqué.



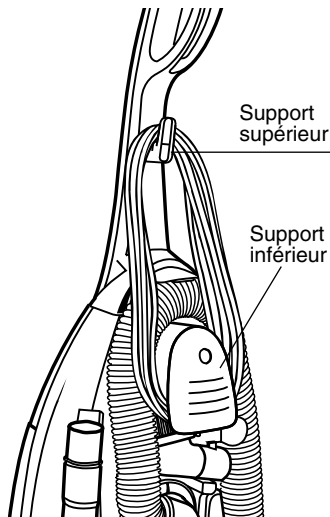
2) Pousser le manche et serrer la vis.
IMPORTANT: Ne pas serrer la vis outre mesure.



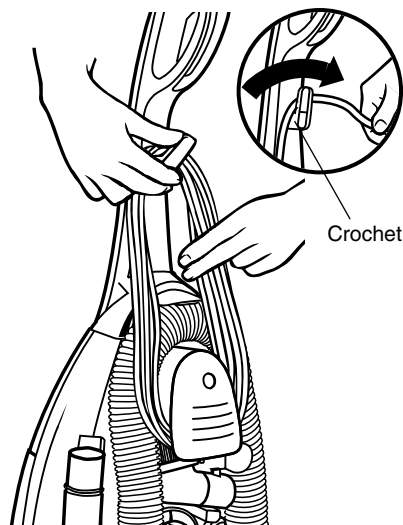
3) Mettre le tuyau dans la pince à tuyau. Le pousser vers l'intérieur pour le retenir en place.

REMARQUE: Toujours mettre le tuyau dans le sens des aiguilles d'une montre.

B) CORDON SECTEUR



1) Tournez le support du cordon supérieur vers le haut et placer le cordon au-dessus des supports supérieur et inférieur tel qu'indiqué sur le dessin.



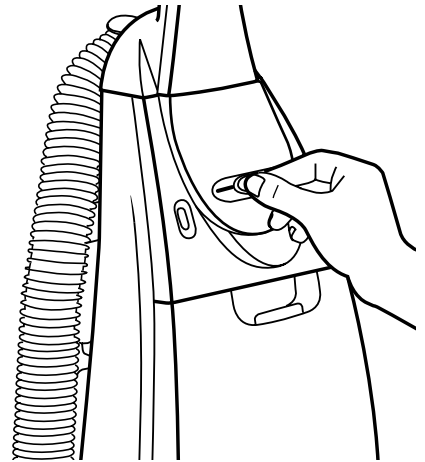
1) Tournez le crochet supérieur pour détacher le cordon secteur.

Pour que le cordon soit bien maintenu pendant l'emploi de l'aspirateur fixer celui-ci au moyen du crochet de cordon.

NOTE: Afin de réduire les risques de choc électrique, cet appareil est muni d'une fiche polarisée (une des broches est plus large). Cette fiche ne peut être insérée dans une prise polarisée que d'une seule façon. Si vous ne pouvez pas insérer la fiche dans la prise, retourner la fiche. Si vous ne pouvez toujours pas insérer la fiche, faire installer une prise adéquate par un électricien compétent. Ne pas modifier la fiche. Pour éviter d'endommager le cordon secteur, ne jamais passer dessus afin de ne pas le bloquer dans la brosse rotative.

C) BOUTON MARCHE-ARRÊT / CONTRÔLE ÉLECTRONIQUE DE PUISSANCE

Le curseur, situé sur le panneau de commande, sert à mettre l'aspirateur ou point de MARCHÉ/ARRÊT et de changer la vitesse du moteur selon l'aspiration requise. Pour mettre l'aspirateur EN MARCHÉ, glisser le curseur vers l'avant. En glissant le curseur plus loin, la puissance s'accroît graduellement. Pour ARRÊTER l'aspirateur, glisser le curseur vers l'arrière jusqu'à qu'il s'enclenche à la position "0".

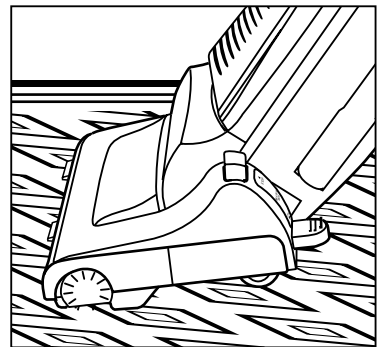
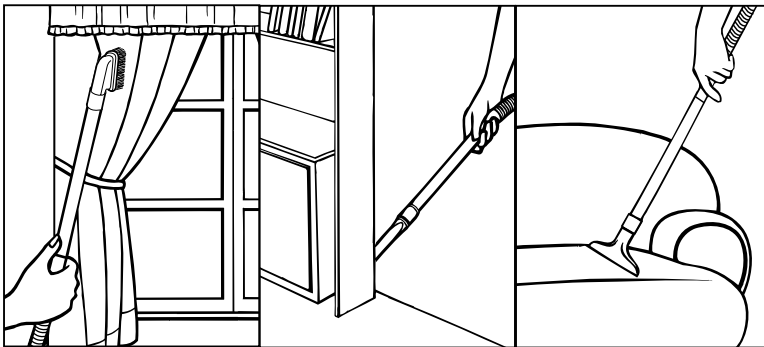


VARIATEUR DE PUISSANCE

L'aspirateur a une commande de la puissance variable vous permettant de choisir la puissance convenant à vos tâches de nettoyage.

MIN.: Pour nettoyer les rideaux et les meubles fragiles, etc...avec l'accessoires désirés.

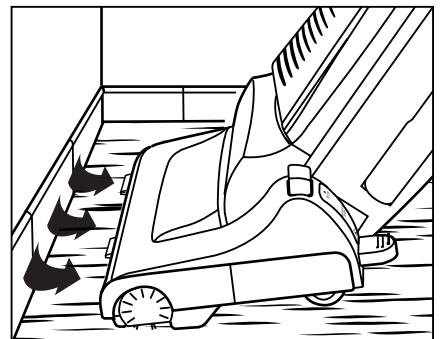
MAX.: Pour nettoyer les moquettes et les tapis avec une efficacité accrue.



D) NETTOYAGE DES REBORDS

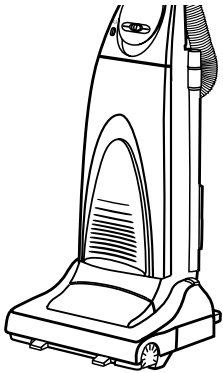
Système de nettoyage des rebords

Cet aspirateur comprend un système de nettoyage des rebords qui est actionné automatiquement lorsque le devant de la brosse d'aspirateur entre en contact avec un mur, des meubles ou un objet semblable.

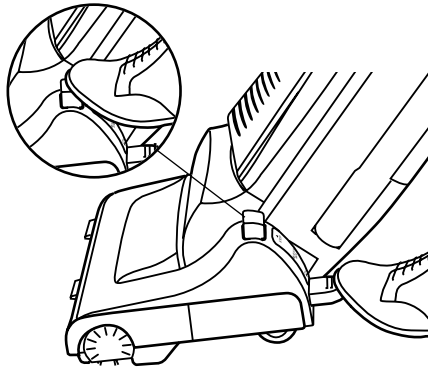


AJUSTEMENT DU CORPS DE L'ASPIRATEUR à l'aide de la pédale à pied / MISE EN MARCHÉ /ARRÊT automatique de la barre à tapis

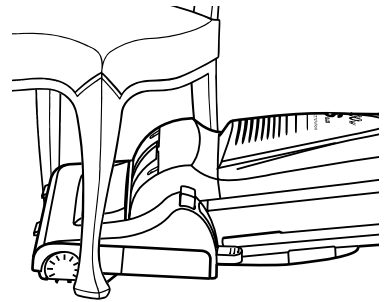
Pour rebaisser le corps de l'aspirateur, appuyer sur la pédale à pied située sur le côté gauche, au bas de l'aspirateur. Une fois que le corps sera incliné, la brosse rotative commencera automatiquement à tourner. Si vous désirez arrêter la brosse rotative, remettre tout simplement l'aspirateur à la position verticale. Si vous désirez arrêter la brosse rotative pendant que l'aspirateur est en position inclinée, appuyer sur la pédale d'arrêt de la brosse à tapis située sur le côté gauche de la brosse à plancher, au-dessus de la pédale à pied.



1) Position verticale.
L'aspirateur doit être à la position verticale au moment d'utiliser les accessoires.



2) Position normale.
Pour utiliser l'aspirateur, appuyer sur la pédale et tirer le manche vers l'arrière jusqu'à l'inclinaison désirée, puis relâcher la pédale pour rebaisser.

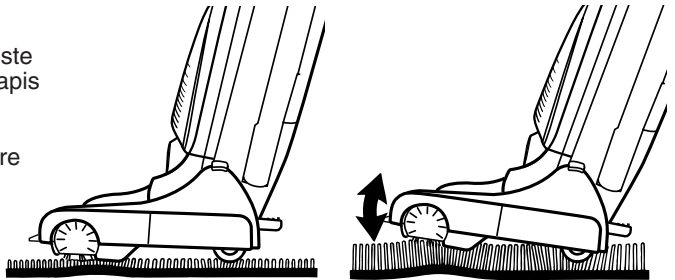


3) Position basse.
Pour nettoyer sous les meubles, appuyer sur la pédale une autre fois. Le manche peut être abaissé jusqu'au plancher, tel qu'indiqué.

F) RÉGLAGE AUTOMATIQUE DE LA HAUTEUR

Votre aspirateur Miele comprend un **Réglage Automatique de la Hauteur** qui ajuste la hauteur de la brosse selon l'épaisseur du tapis que vous nettoyez.

Ce système vous permet de déplacer l'aspirateur d'un tapis à l'autre sans devoir faire des réglages qui prennent du temps.

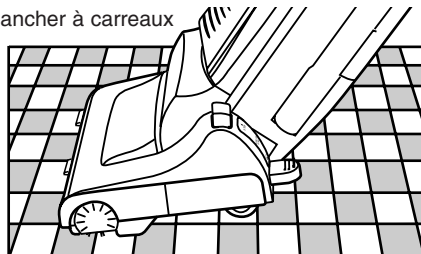


G) POUR ÉVITER D'ÉNGRATIGNER LES PLANCHERS

Pour éviter d'égratigner les planchers au moment d'utiliser l'aspirateur sur des planchers polis ou à carreaux, l'aspirateur comprend deux petites roulettes dans la plaque de base.

Ces deux roulettes permettent également de glisser l'aspirateur sur les planchers à tapis.

Plancher à carreaux



Plancher à tapis



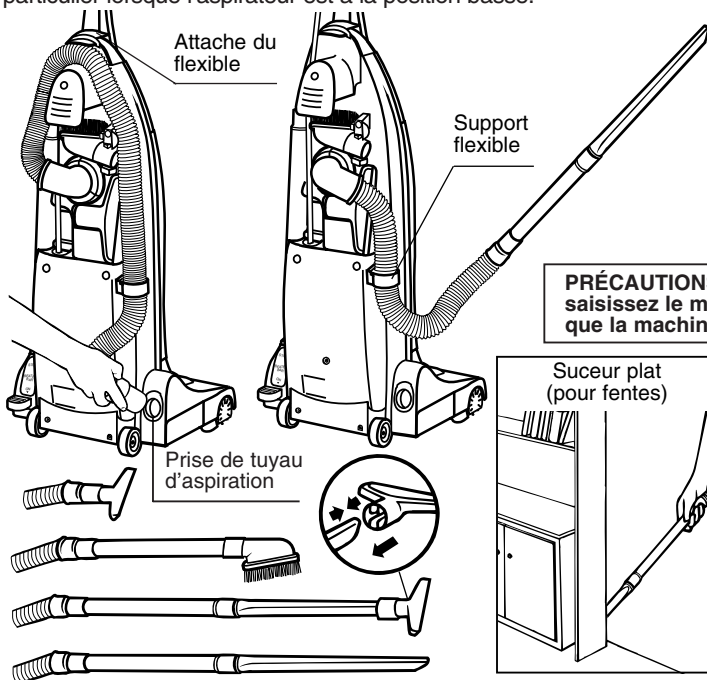
H) COMMENT UTILISER LES ACCESSOIRES

1) Au moment d'utiliser les accessoires, il faut toujours mettre l'aspirateur à la position verticale.

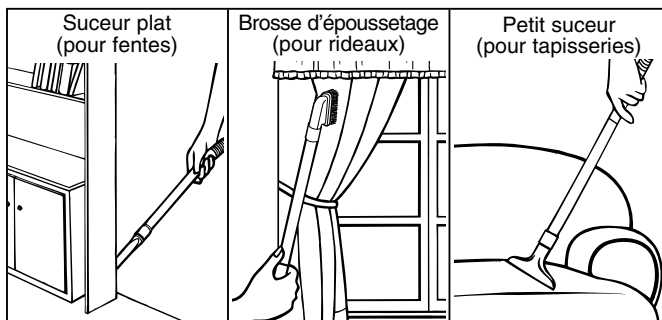
2) Retirer le tuyau de la prise de tuyau d'aspiration et l'enlever de la pince à tuyau. Puis, glisser le tuyau dans le support de tuyau et raccorder les accessoires, tel qu'illustré ci-dessous.

Important: Pour une portée plus longue du tuyau, enlever le support de tuyau de son dispositif de retenue et tenir la poignée de l'aspirateur d'une main pour éviter de tirer l'aspirateur vers vous.

REMARQUE: Après avoir utilisé les accessoires, réinsérer le tuyau sur le support de tuyau, dans la pince à tuyau et le raccorder dans la prise de tuyau d'aspiration. Vous assurer de distribuer uniformément la longueur du tuyau dans sa position de rangement afin d'empêcher toute partie du tuyau de toucher le plancher, en particulier lorsque l'aspirateur est à la position basse.



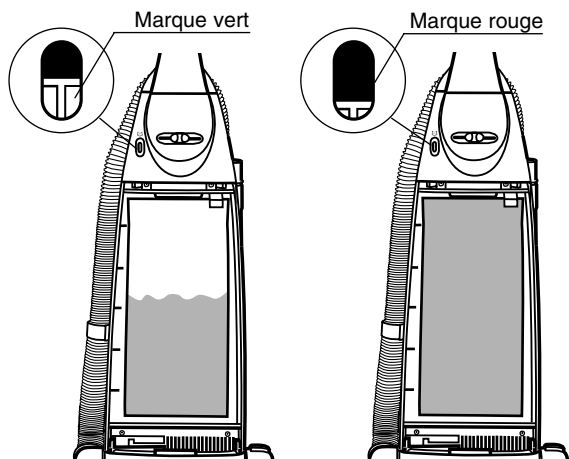
PRÉCAUTIONS: Lorsque vous utiliserez les accessoires saisissez le manche de l'aspirateur d'une main pour éviter que la machine ne se renverse.



I) INDICATEUR DE REMPLISSAGE DU SAC EN PAPIER

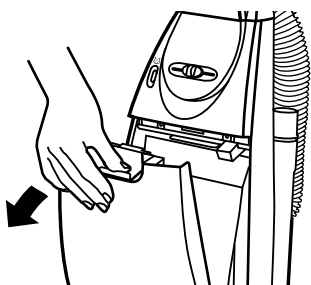
L'indicateur de remplissage du sac en papier qui se trouve au haut de l'aspirateur, indique normalement que le sac est plein et qu'il faut le remplacer. Vous devez changer le sac quand la marque rouge s'allume afin de maintenir son efficacité.

REMARQUE: Il se peut que la marque rouge s'allume même lorsque vous avez changé le sac. Il faut alors vérifier s'il y a un blocage. Aussi, la marque rouge s'allume si vous utilisez la buse pour fentes.

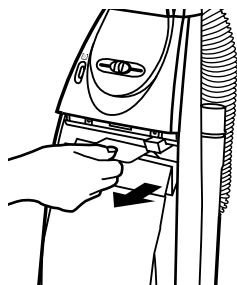


ATTENTION: DÉBRANCHER LA FICHE DE COURANT AVANT D'EFFECTUER LES OPÉRATIONS SUIVANTES

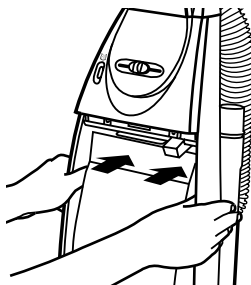
COMMENT REMPLACER LE SAC EN PAPIER



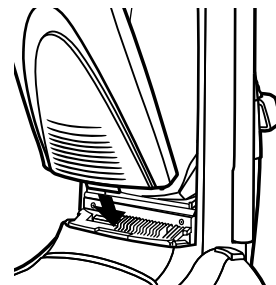
1) Ôter le couvercle en tirant simplement vers l'avant.



2) Saisir la partie cortonnée du sac et tirer.



3) Installer le nouveau sac en appuyant sur le carton tel qu'indiqué, et fermer le couvercle.

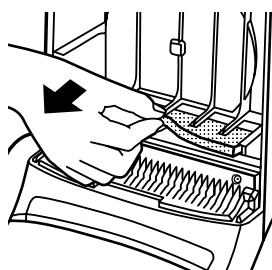


4) Remettre en place le couvercle du compartiment à poussière en insérant la patte en saillie dans la fente de la carrosserie et en appuyant sur le haut du couvercle.

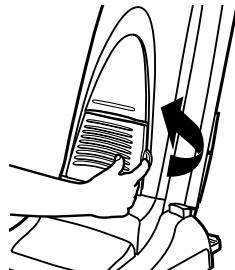
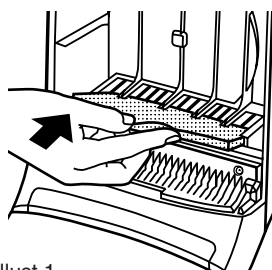
REMARQUE: Si vous n'avez pas inséré le sac en papier correctement, vous ne pourrez pas fermer le couvercle du sac à poussière.

**Il est recommandé de n'utiliser que les sacs véritables Miele
Pièce détachée No. 5294740 Type Z**

ENTRETIEN DES FILTRES



Illust.1



Illust.2

Cet aspirateur comprend deux filtres, un gris, installé dans le compartiment du sac à poussière, qui protège le moteur, (Illust.1). L'autre filtre, Microfiltration avancée, est situé dans le compartiment du filtre de sortie et retient les particules de poussière, (Illust.2).

Il est conseillé de changer le filtre Microfiltration avancée quand il est sale. A titre indicatif, une ou deux fois par année est généralement suffisant. Au moment de changer le filtre Microfiltration avancée, il est conseillé de laver le filtre gris. Le rincer simplement à l'eau chaude.

FILTRE CENTRAL (Illust. 1)

Pièce détachée No. F03M1000

Pour enlever le filtre central (gris), le glisser pour le sortir tel qu'indiqué.

IMPORTANT: Avant de réinstaller, vous assurez qu'il est bien sec.

FILTRE MICROFILTRATION AVANCÉE (Illust. 2)

Pièce détachée No. S02R5000

Pour changer le filtre de sortie Microfiltration avancée, ôter d'abord le couvercle tel qu'indiqué à l'illustration.

IMPORTANT: Ne pas oublier de réinstaller les filtres avant d'utiliser à nouveau votre aspirateur.

GUIDE DE DÉPANNAGE

Avant de retourner l'aspirateur à un centre d'entretien autorisé, vérifier les points suivants:

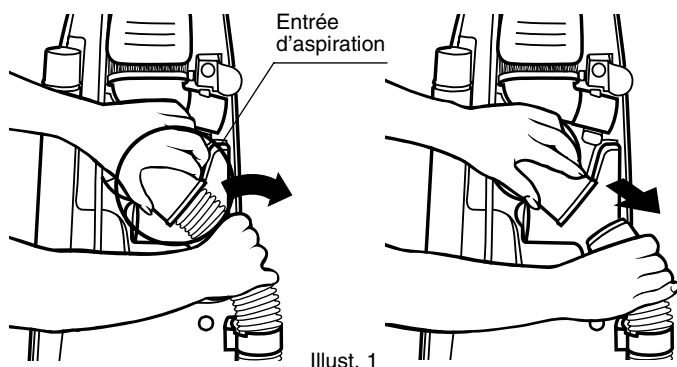
DÉFAUT	À VÉRIFIER	CAUSE / SOLUTION
Le moteur ne tourne pas (aucun bruit)	<ul style="list-style-type: none"> • Branchement du cordon 	<ul style="list-style-type: none"> • Brancher le cordon dans la prise correctement.
Le moteur tourne, mais l'appareil n'aspire pas.	<ul style="list-style-type: none"> • L'entrée d'aspiration est bouchée. • Vérifier l'indicateur de remplissage. • Le sac en papier est percé ou bouché. • Filtre central. 	<ul style="list-style-type: none"> • Déboucher l'entrée. • S'il indique que le sac est plein, en remettre un vide. • S'il est percé, le remplacer. • Si le filtre central est plein de poussière, le nettoyer ou le remplacer.
La brosse rotative ne tourne pas.	<ul style="list-style-type: none"> • La rotation est entravée par un gros objet. • La courroie est cassée ou a sauté. 	<ul style="list-style-type: none"> • Enlever le corps étranger. • Si la courroie est cassée la remplacer. Si elle a sauté, la remettre en place.

BLOCAGES

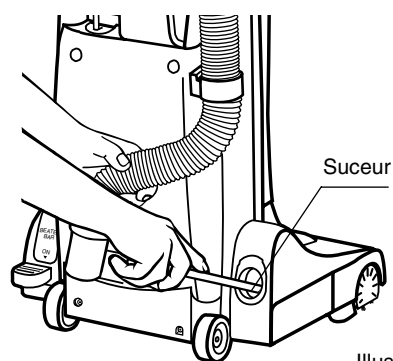
Si votre aspirateur n'aspire plus la poussière, ou si l'indicateur de poussière affiche plein alors que le sac à poussière est vide, il peut y avoir un blocage.

Pour y remédier, débrancher d'abord le cordon et procéder ensuite comme suit:

Détacher le tuyau, de l'entrée d'aspiration en le tournant vers la droite et en le tirant vers le bas (Illus.1), déboucher le tuyau ou l'entrée à l'aide d'un outil non pointu en prenant garde de ne pas endommager le tuyau flexible. Si l'obstruction se trouve dans le suceur, vous pouvez y remédier, tel qu'indiqué à l'illustration 2.



Illust. 1

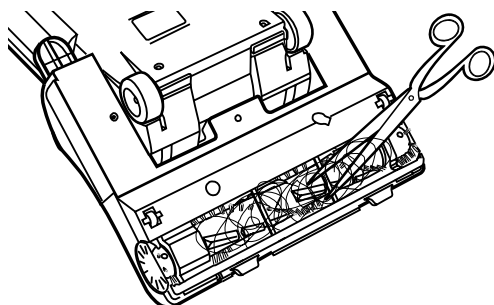
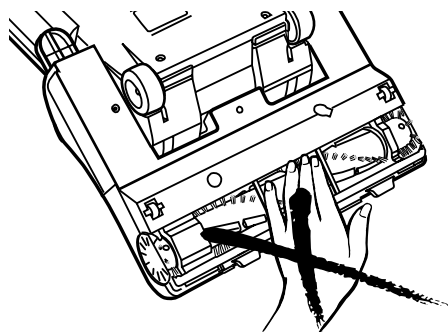


Illust. 2

ENTRETIEN DE LA BROSSSE ROTATIVE

NE PAS UTILISER VOS DOIGTS OU VOS MAINS POUR FAIRE L'ENTRETIEN DE LA BROSSSE ROTATIVE.

Au moment d'enlever des fils de la ficelle, des cheveux, etc., qui sont enroulés autour de la brosse rotative, les couper d'abord avec des ciseaux en prenant soin de ne pas couper la brosse.



ENTRETIEN

Nous vous conseillons d'utiliser des pièces de rechange originales de marque Miele.

DEBRANCHER LA FICHE DE L'ASPIRATEUR DE LA PRISE DE COURANT.

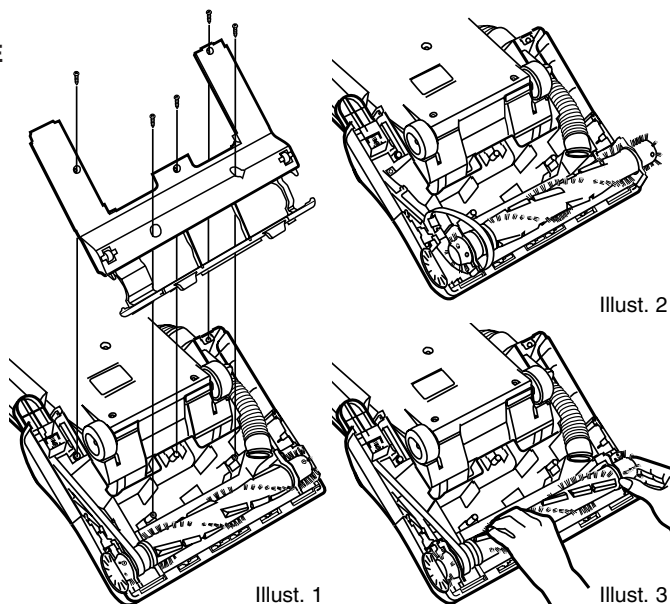
Si vous avez des questions, communiquez avec votre agent d'entretien Miele régional.

Toute intervention de service nécessaire, autre que celles décrites dans ce manuel d'instructions, doit être confiée à un agent d'entretien Miele.

Pour réparer les pièces suivantes, mettre l'aspirateur à la position horizontale. Mettre l'appareil de manière que le suceur et la plaque de la base soient tournés vers le haut.

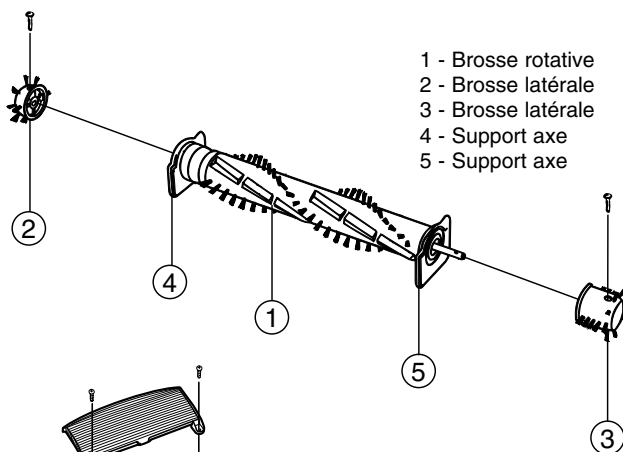
REPLACEMENT DE LA COURROIE (Pièce détache No. S01R4000) BROSSE ROTATIVE (Pièce détache No. R98M9064)

1. Enlever les vis de la plaque de la base. (Illust.1)
2. Enlever la courroie de l'axe du moteur et tirer la brosse rotative pour enlever la courroie (Illust.2)
3. Procéder en sens inverse pour installer la courroie neuve. Remettre la brosse rotative dans ses supports et la tourner pour s'assurer que la courroie est bien en place (Illust.3).
4. Remettre la plaque de la base et resserrer les vis.



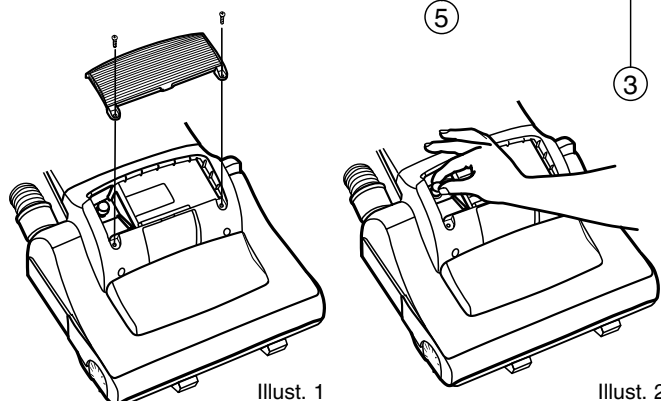
REPLACEMENT DE LA BROSSE ROTATIVE / BROSSE LATÉRALE / SUPPORT AXE A-B

1. Enlever d'abord la plaque de la base, la courroie de l'axe du moteur et aussi l'ensemble de brosse rotative.
2. Enlever les deux vis des extrémités de la brosse et séparer les différentes parties tel qu'indiqué sur le dessin.
3. Remplacer toute pièce endommagée et remonter en sens inverse.



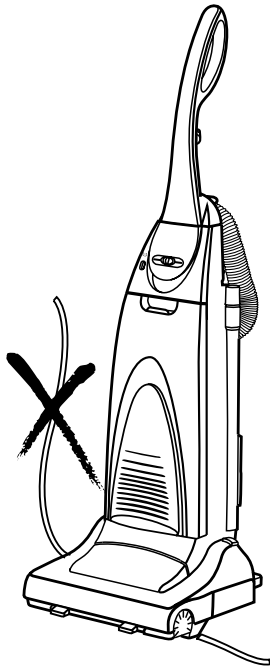
COMMENT REPLACER LA LAMPE FRONTALE

1. Enlever la plaque, détacher l'ensemble de la lampe frontale et la sortir (Illust.1).
2. Enlever la vieille lampe en la tirant simplement vers l'avant, et la remplacer par une nouvelle. (Illust.2)
(Consulter votre agent de service pour vous renseigner sur le genre d'ampoule dont vous avez besoin)
3. Réinsérer l'ensemble lampe frontale à sa place, remettre le font et remettre les vis.

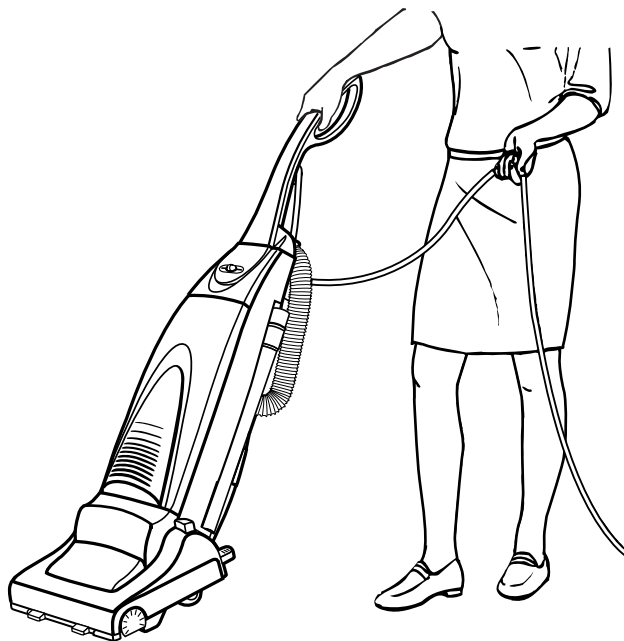


PRECAUTION DU CORDON SECTEUR

Pour éviter d'endommager le câble électrique de votre aspirateur ne pas rouler dessus et attention à ce qu'il ne se prenne pas dans la brosse rotative.



Pour éviter d'endommager le cordon secteur pendant l'utilisation, le pendre avec la main.

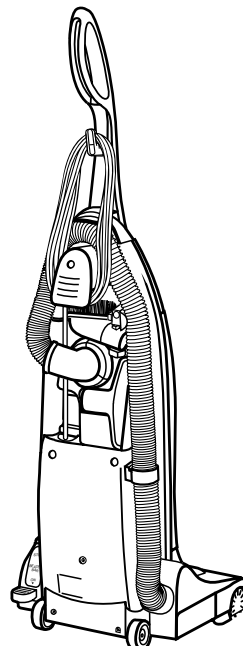


COMMENT GARDER L'APPAREIL

Pour garder l'aspirateur après l'utilisation de l'appareil:

- 1) Retourner l'aspirateur à la position vertical.
- 2) Arrêter l'aspirateur par l'interrupteur.
- 3) Débrancher la fiche.
Ne pas tirer sur le cordon.
- 4) Reinstaller le flexible et les accessoires à leur place.
- 5) Garder le cordon secteur selon les instructions correspondantes.

Tenir l'aspirateur éloigné des sources de chaleur telles que radiateurs, feux, lumière solaire directe.





Canadian Head Office

MIELE, LTD

55G East Beaver Creek Road
Richmond Hill
Ontario, L4B 1ES
Téléphone: (800) 565-6435
Téléphone: (905) 707-1171
Fax: (905) 707-0177

Website matters: webmaster@mieleusa.com
(Comments, suggestions, criticism)

Product information: info@miele.ca
(Answers to Questions about Miele products for the home)

Technical Services: service@miele.ca
(Technical questions & owner's manual requests)

Professional Products

Product Information: professional@miele.ca
(Questions about Miele products that aid the scientific community)

Showroom Locations

Quebec

Miele, Ltd

400 Laurier Ave, West
Suite 600
Montreal, Quebec H2V 2K7
Téléphone: (877) 635-4353
Téléphone: (514) 277-1818
Fax: (514) 277-1838

British Columbia

Miele, Ltd

3731 North Fraser Way
Unit 200
Burnaby, British Columbia V5J 5J2
Téléphone: (604) 434-1300
Fax: (604) 434-1309

www.miele.ca